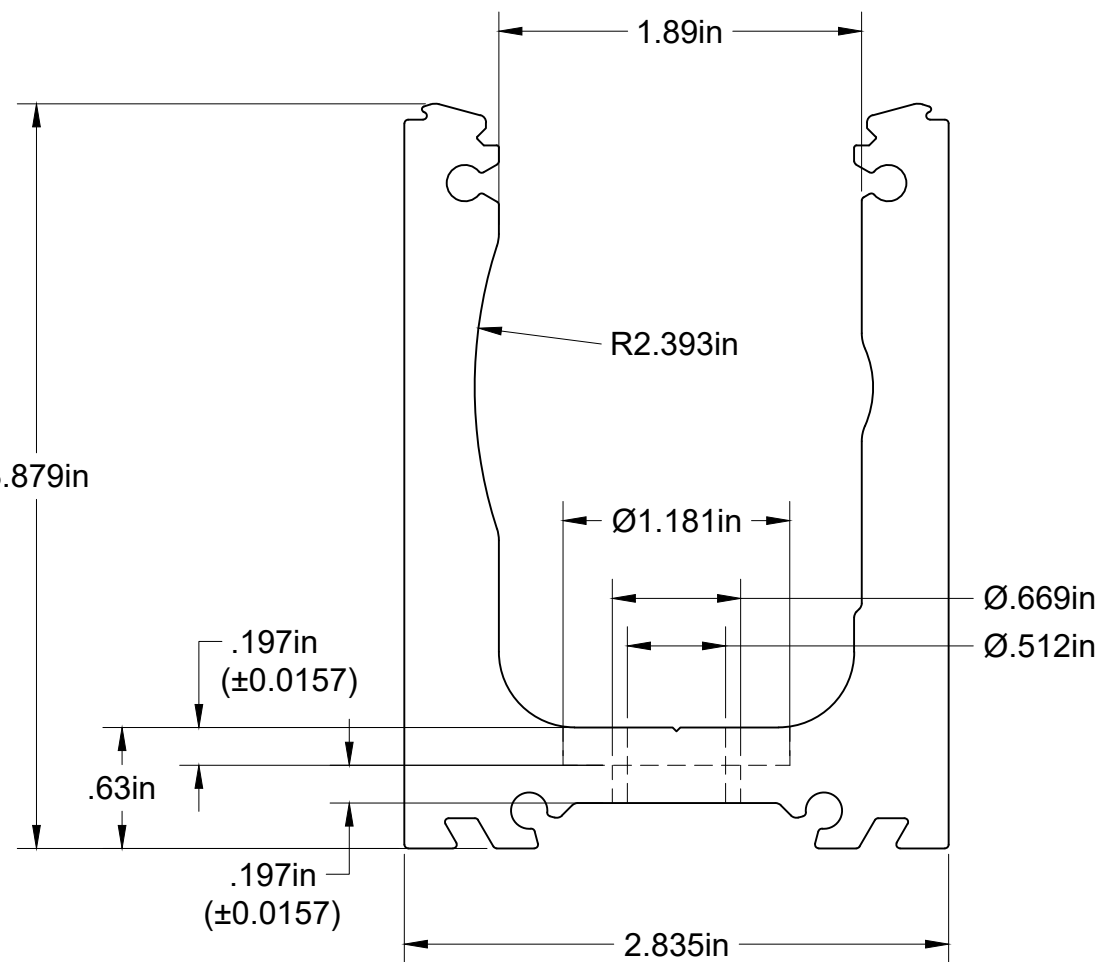




DETAIL A
SCALE 1:8

With Snap On Gasket Extrusions In Place, Shoe Height will be 4-1/8" 3.879in



- (20) Ø1.181" straight holes
- (20) Ø.669" straight holes
- (5) Ø.512" straight holes

Project:	Railing Products and Mock Ups
Title:	A42-PL68MF20CB 240in
Description:	
Scale:	1:8
Date Drawn:	8/14/2019
 An  Company	