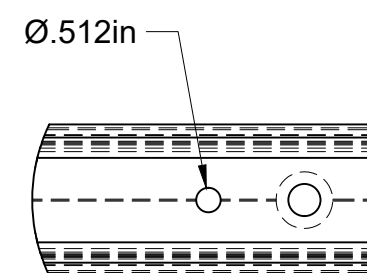


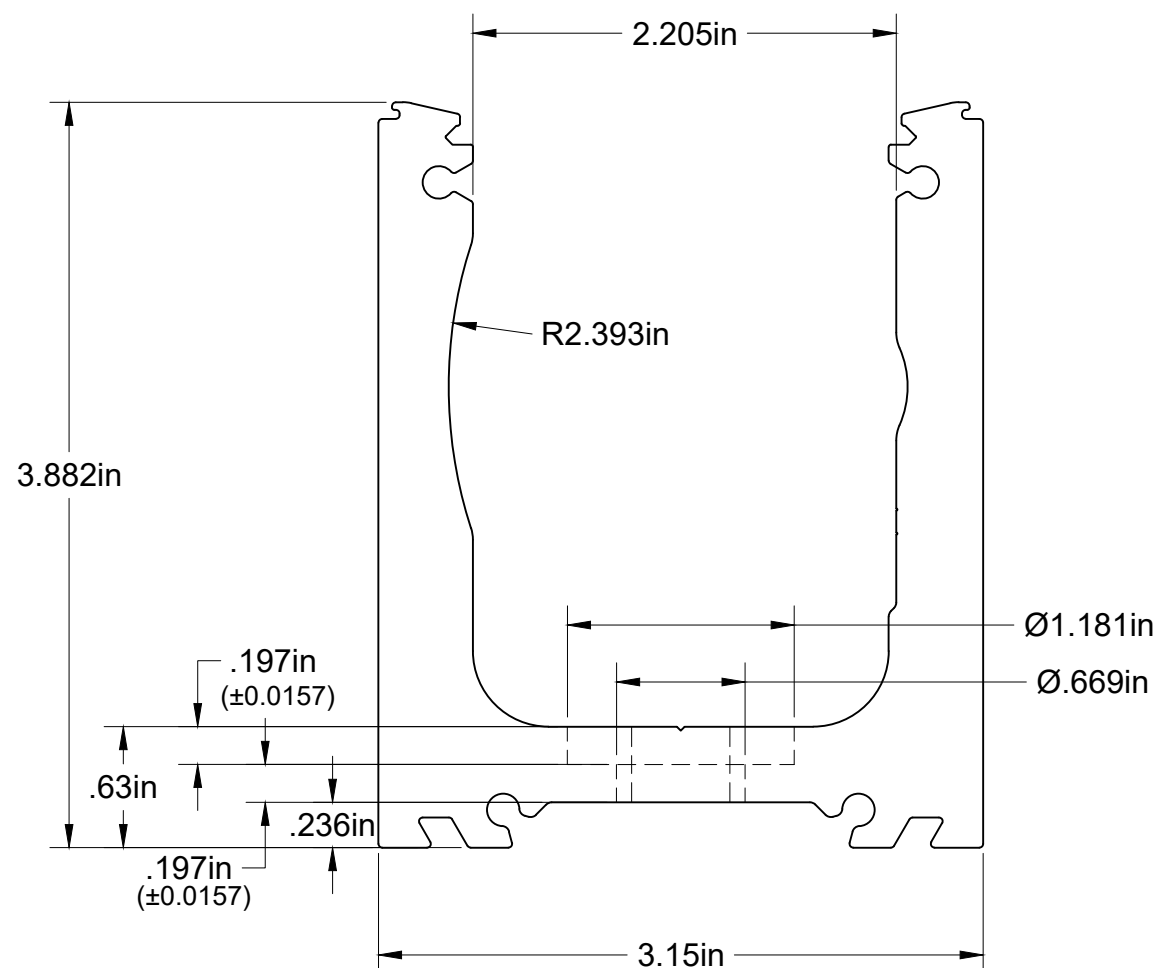
DETAIL A
SCALE 1:8





DETAIL B
SCALE 1:4

Ø.669in
Ø1.181in

With Snap On Gasket Extrusions In Place, Shoe Height will be 4-1/8"



- (10) Ø 1.181" straight holes
- (10) Ø .669" straight holes
- (2) Ø .512" straight holes

Project:	Railing Products and Mock Ups
Title:	A42-PL80MF10CB
Description:	
Scale:	1:10
Date Drawn:	8/5/2019
	
An  Company	