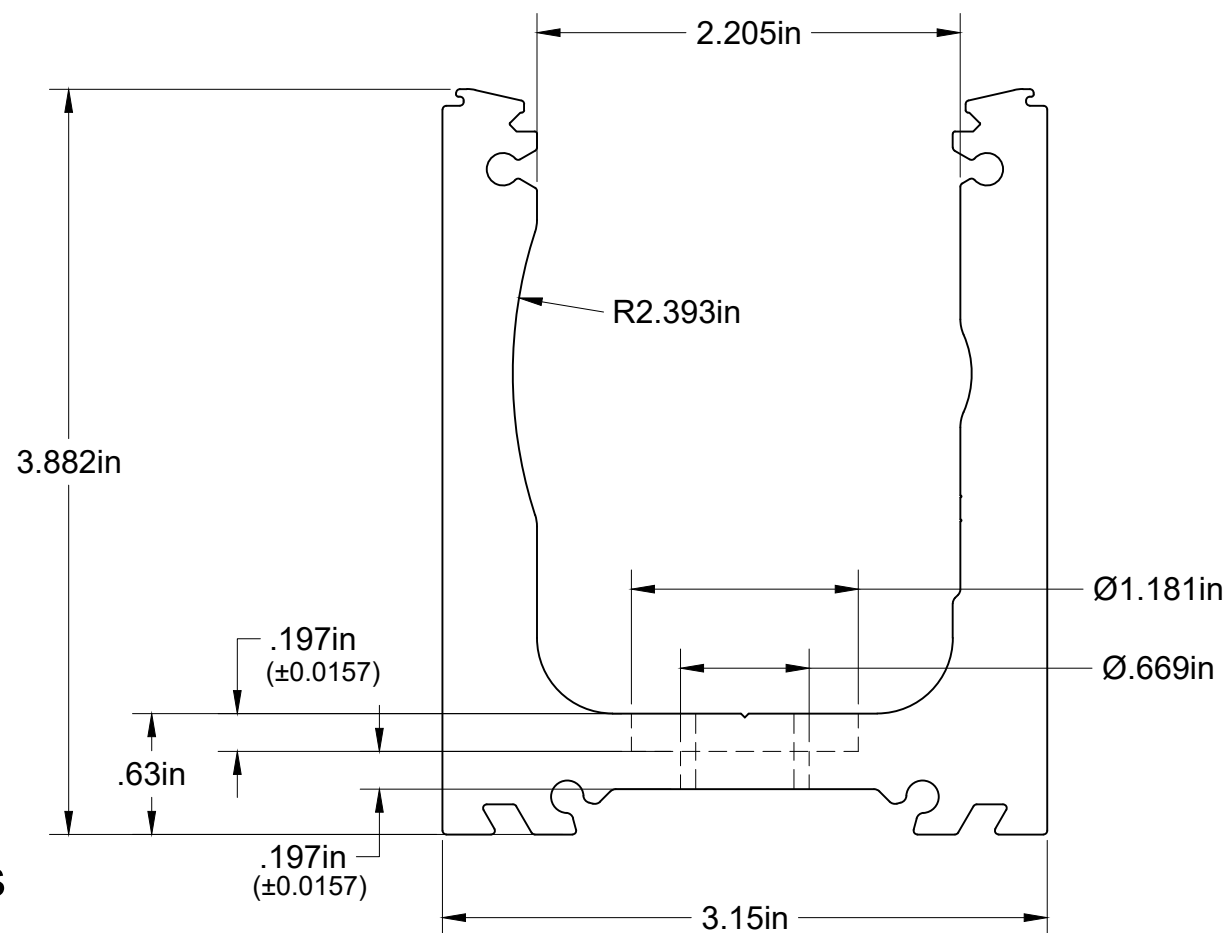
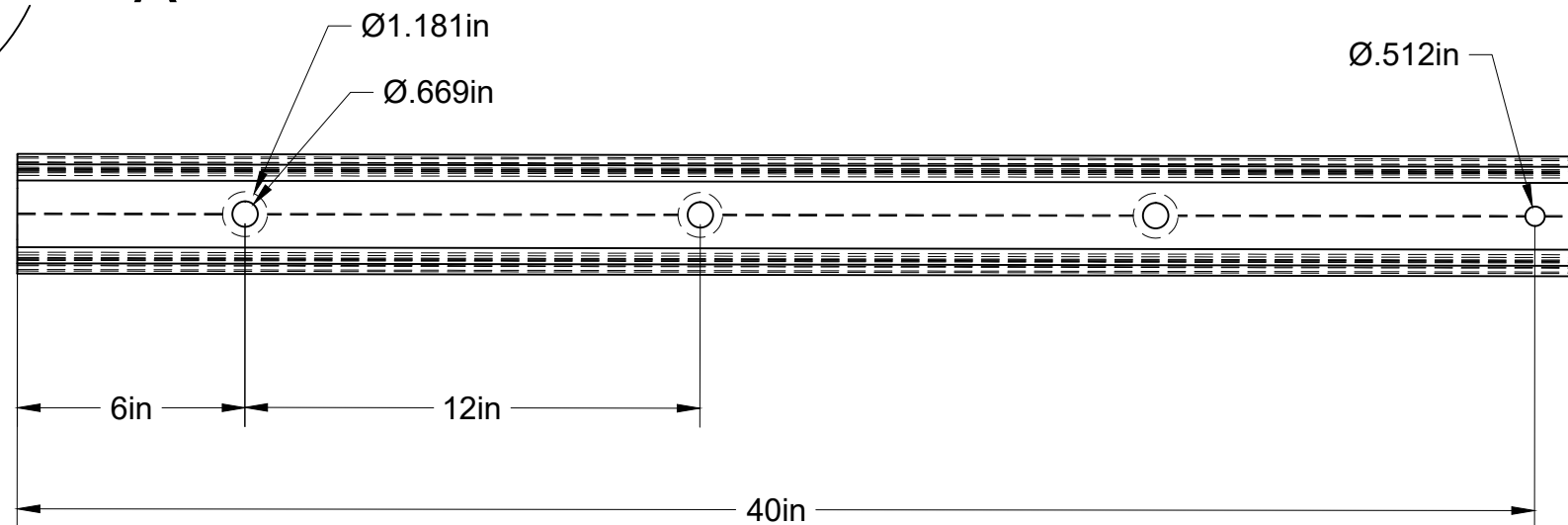




DETAIL A
SCALE 1:5



With Snap On Gasket
Extrusions In Place, Shoe
Height will be 4-1/8"

- (20) Ø 1.181" straight holes
- (20) Ø .669" straight holes
- (5) Ø .512" straight holes

Project:	Railing Products and Mock Ups
Title:	A42-PL80MF20CB
Description:	
Scale:	1:10
Date:	8/6/2019
	
An  Company	