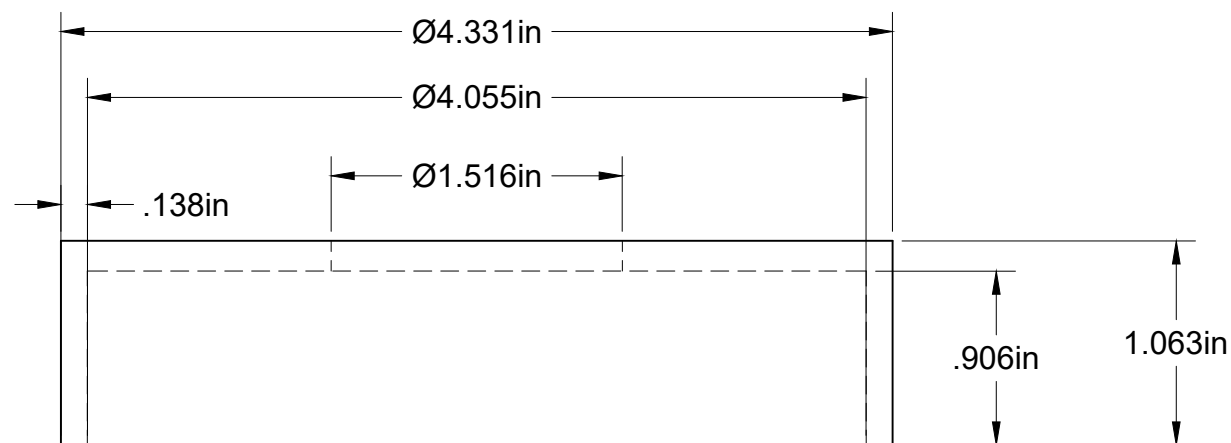
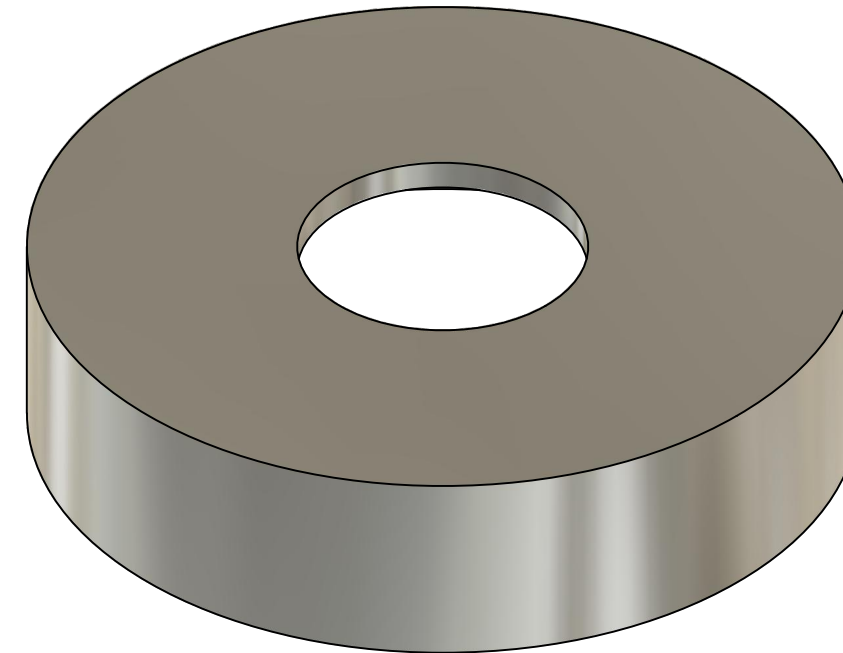
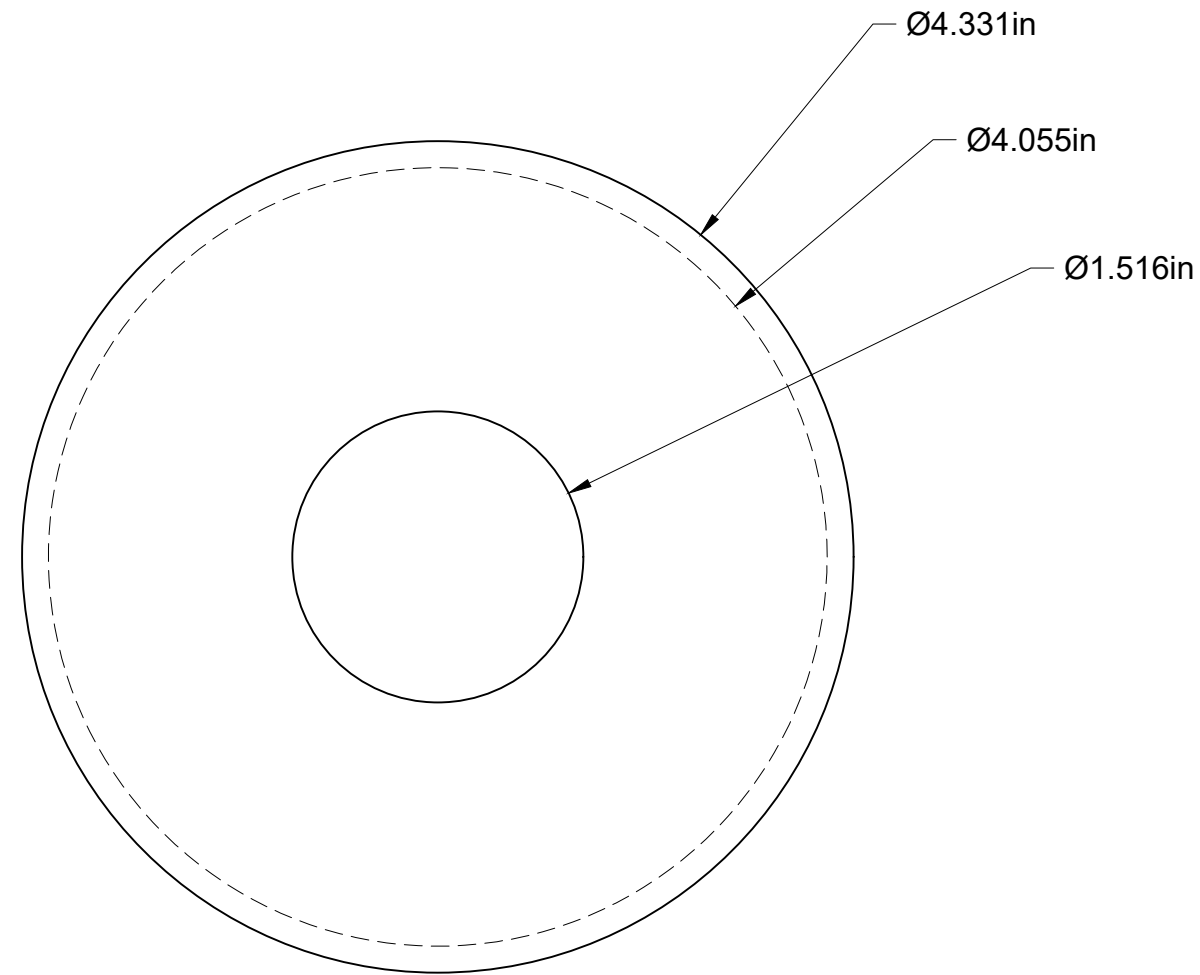




- Brushed Stainless Steel Finish
- Type 304 Stainless Steel
- If type 316 is needed, use model R14-0511-038-12



Project:	Railing Products and Mock Ups
Title:	Model 0511 Flange Cover Cap
Description:	M13-0511-038-12/R13-0511-038-12/R14-0511-038-12 Floor Flange Cover Cap Ø1.5"
Scale:	1:2
Date Drawn:	1/12/2021
 An  Company	