

R13-7629-042-12
Top Rail End Cap

R13-6920-042-12
1.66" OD SS Top Rail

R13-0739-038-12
Handrail Wall Return

3/8" Tempered Glass

V50-0005
Cladding Rubber Gasket

S17-0072VEL
Cladding End Cap

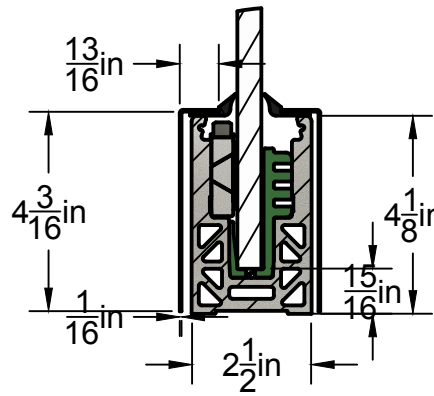
A42-0072AEY20CB
Panel Grip Base Shoe

S16-0073VEL10
SS #4 Brushed Cladding

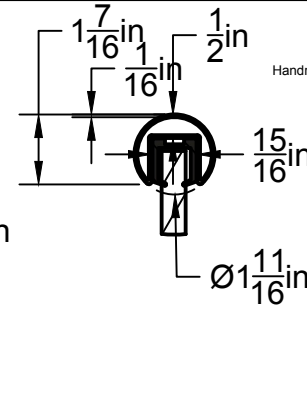
A42-0027-1L
Panel Grip Isolator
Install 12" OC

SECTION A-A
SCALE 1:10

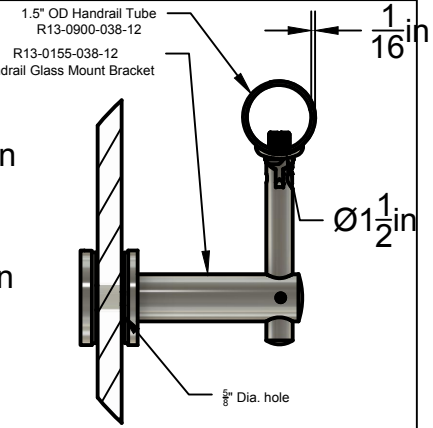
SECTION B-B
SCALE 1:10



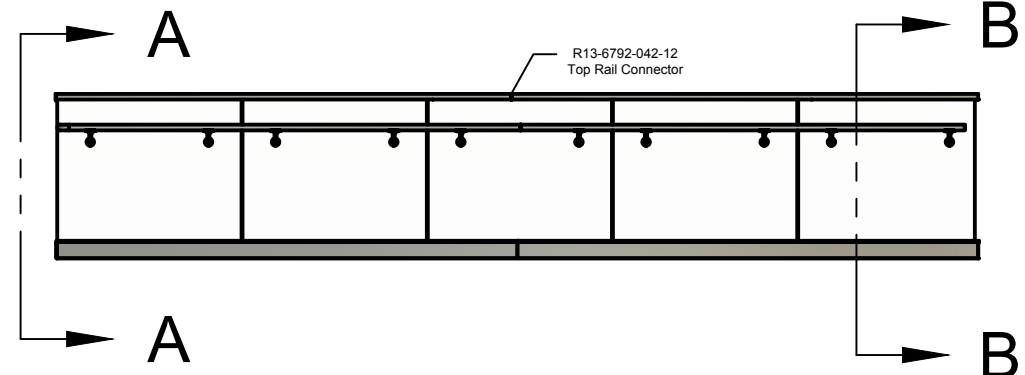
DETAIL C
SCALE 1:4



DETAIL D
SCALE 1:4



DETAIL E
SCALE 1:4



Project: Railing Products and Mock Ups

Title: 0072 SS Cladding Handrail, 1.6 Top Rail

Description:



Scale: 1:50

Date: 6/20/2019

Drawn: