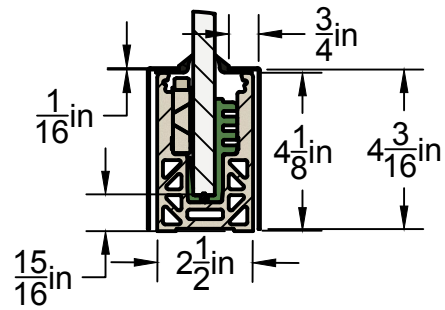
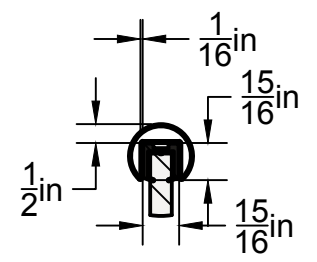


SECTION B-B  
SCALE 1:10

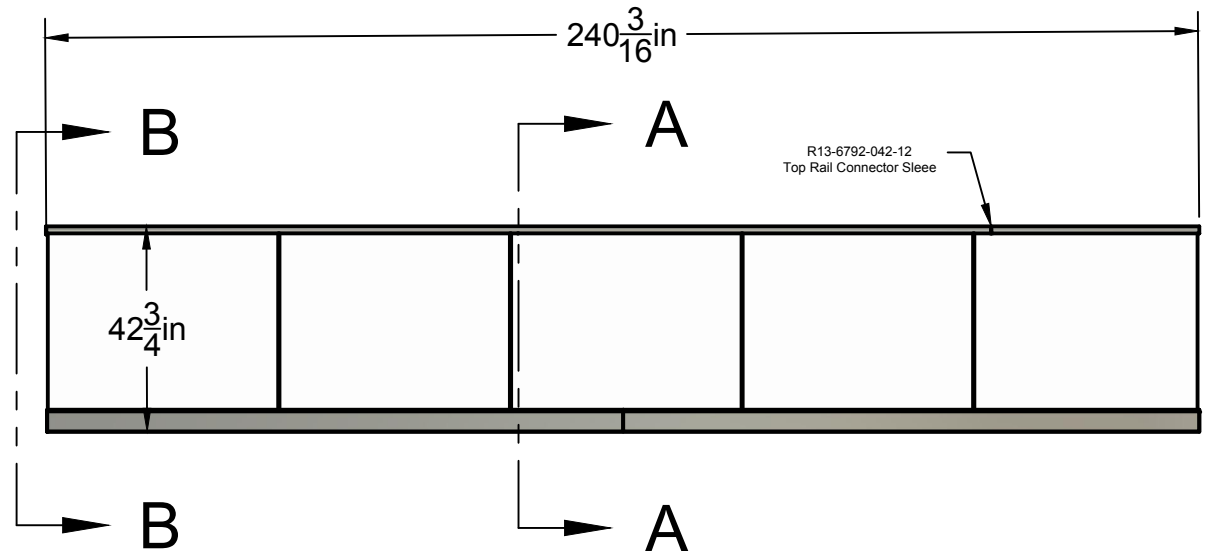
SECTION A-A  
SCALE 1:10



DETAIL C  
SCALE 1:5



DETAIL D  
SCALE 1:5



Project: Dimension Drawings

Title: 0072 SS Cladding 1.66 Round Top Rail

Description:

Scale: 1:8

Date Drawn: 5/21/2019