



PARTITION POST SAFETY SHIELD INSTALLATION INSTRUCTIONS

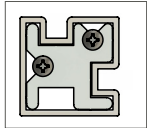
PARTITION POST SAFETY SHIELD

The Partition Post Shield not only provides the ability to pass money and small objects below the infill if needed, but can also be mounted with the infill is flush to the surface so no gap remains. The posts on this shield are made of high-quality extruded aluminum components. The shield works with a variety of infill material, accommodating a thickness of 1/4". No fabrication is needed on the infill material.

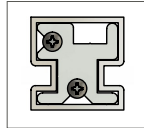
2 people are recommended for this installation process - If the infill is tempered glass 2 people are REQUIRED

PARTITION POST SYSTEM INCLUDES:

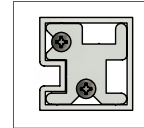
Required Hardware



CORNER POST
PART #: A55-1000



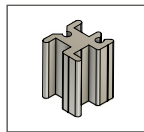
CENTER POST
PART #: A55-2000



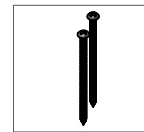
END POST
PART #: A55-3000



BLACK NYLON TOP CAP
PART #: A55-4000

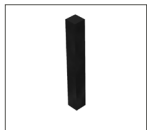


BASE ADAPTER
PART #: A55-5000



**(2) SCREWS
REQUIRED PER BASE**
PART #: A55-6000

Recommended Accessories



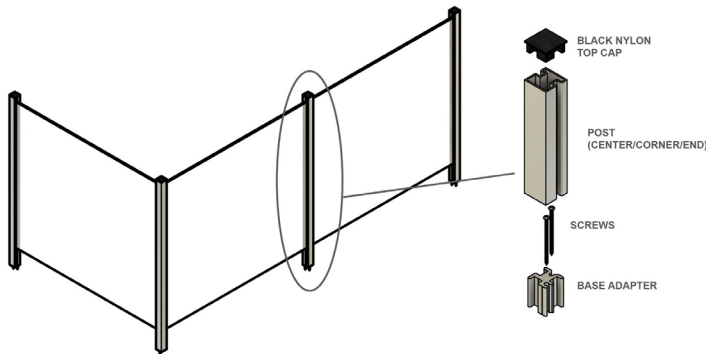
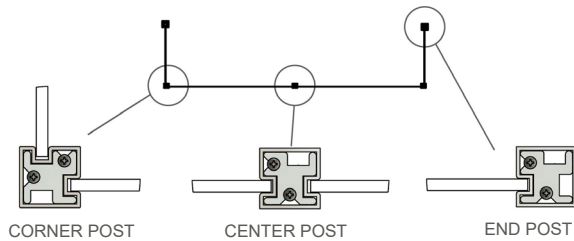
GLASS SETTING BLOCK
PART #: V55-1000
For adjusting gap
under infill



**GORILLA SUPER
GLUE**
PART #: G55-1000
For attaching posts,
top cap, and setting
block



SHEET METAL SCREW
PART #: A55-6500
For locking post to base





INSTALLATION

The following information will help you streamline set-up and installation.

1

Cut the posts to the required lengths - make sure to account for the any gap desired between glass and substrate.

2

Secure base adapters to substrate:

NOTE: Use DIAGRAM B to ensure base adapters are spaced correctly to fit glass.

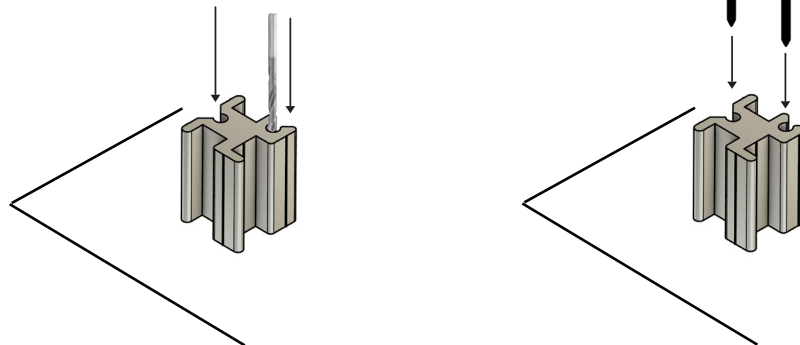
1. Place bases on substrate in desired location.
2. As shown in DIAGRAM A, use screw holes in base adapter as guide to drill pilot holes.
3. Drive screws into place.

NOTE: Drill Bit Size Recommendation:

1/8" for hardwood substrate

7/64" for softwood substrate

DIAGRAM A

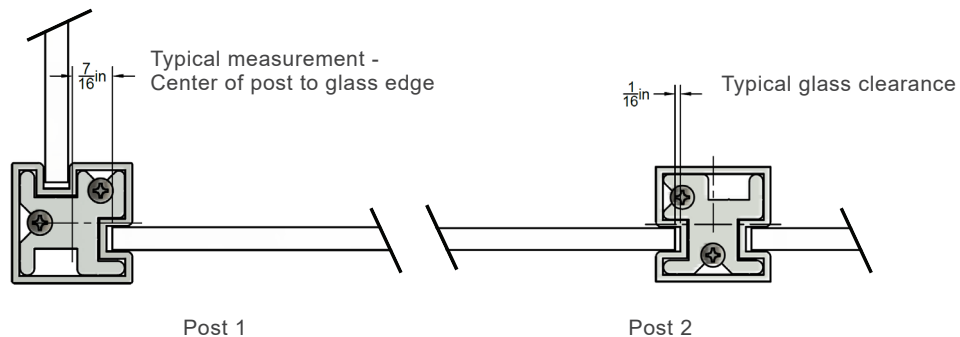


Place post 1 on the substrate, then place post 2 at distance equal to the width of panel plus 7/8" measured center to center.

NOTE:

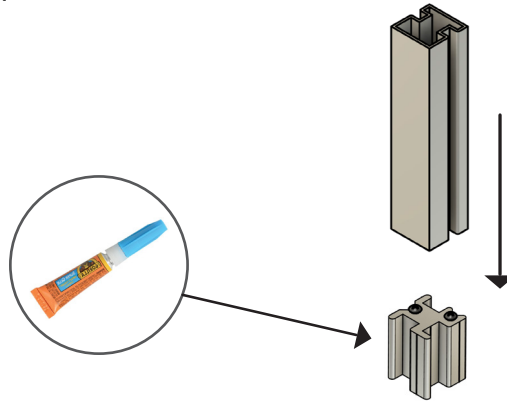
The glass deduction is 7/16" on each side of the infill (7/8" total)

DIAGRAM B



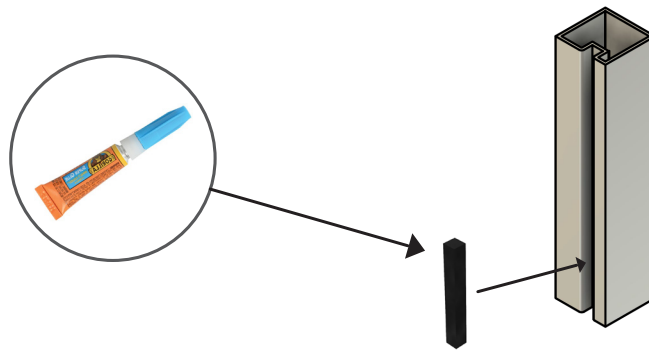
3

Recommended: Apply glue to base to hold post in place.
 Slide post over base.

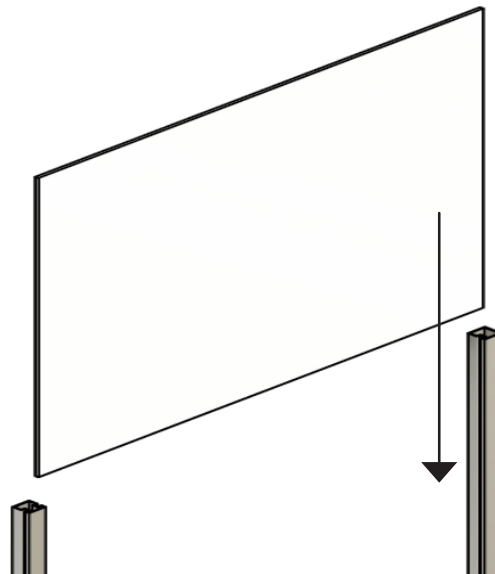
**4**

OPTIONAL: If gap desired between bottom of glass and substrate -

1. Apply glue to setting block before placing in post.
2. Place setting block into channel in post - 1 for every two inches of space desired.
3. Let dry (1 hour).

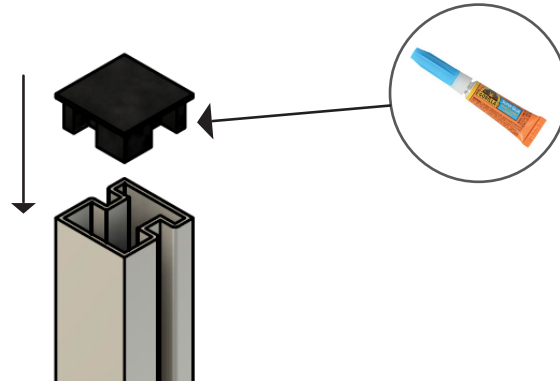
**5**

Slide glass into place from top of posts into channels.



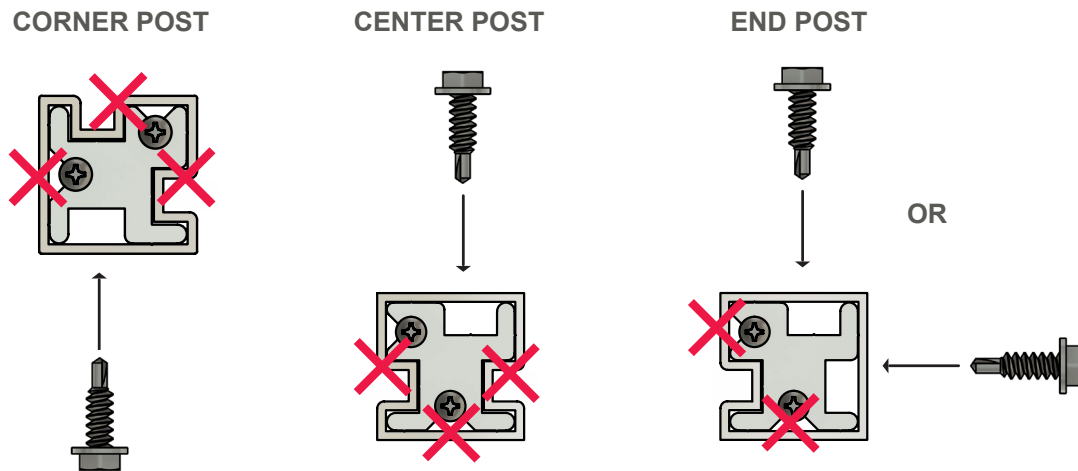


6 Apply glue to top cap and slide into place on top of post.



7 OPTIONAL: Drill screw to secure posts and avoid unwanted tampering.
 1. Drill pilot hole through post into base.
 2. Drive screw P#: A55-6500 into post and base.

*The screw MUST be drilled through the post into the base.
 Screws CANNOT be drilled in line with the base screws or on same side of base as glass.*



For additional support call 800.325.7513 or visit our website www.morseindustries.com



Northwest Distribution Facility
 Morse Industries Headquarters
 25811 74th Avenue South
 Kent, WA 98032

Southwest Distribution Facility
 Morse Industries
 3080 Enterprise Avenue, Suite A
 Brea, CA 92821

Central U.S. Distribution Facility
 Morse Industries
 4041 N. Santa Fe Ave.
 Oklahoma City, OK 73118

Mid-Atlantic Distribution Facility
 Morse Industries
 1630 Old Dunbar Road
 West Columbia, SC 29172