



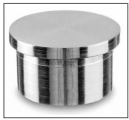
ROUND POST SAFETY SHIELD INSTALLATION INSTRUCTIONS

ROUND POST SHIELD KIT

The Round Post Shield provides the ability to pass money and small objects below the infill. The posts on this shield are manufactured from satin stainless steel which creates a high end appearance. The Round Post Shield works with a variety of infill material, accommodating thicknesses from 1/4" to 3/8". No fabrication is needed on the infill materials for the clamps.

2 people are recommended for this installation process - If the infill is tempered glass 2 people are REQUIRED

KIT INCLUDES (Part #: S54-1040BS):



(2pc) **END CAP**

Part #: M13-0732-038-12



(4pc) **GLASS CLAMP**

Part #: M13-2512-038-12

NOTE: (2) gaskets are required for each clamp



(2pc) **ROUND POST**

Part #: M43-0900-038-12



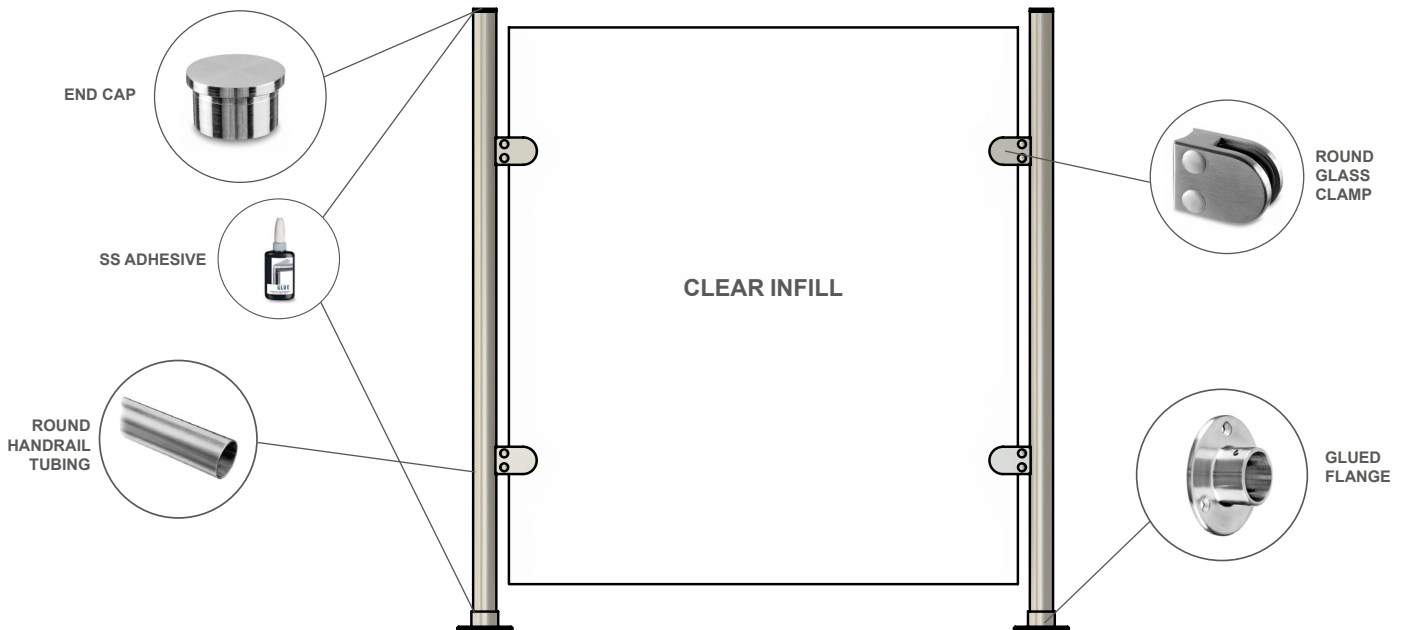
(2pc) **BASE FLANGE**

Part #: M13-0505-038-12



STAINLESS STEEL ADHESIVE GLUE

Part #: R19-1331-000-00 (Sold Separately - Each bottle covers around 10 installations)

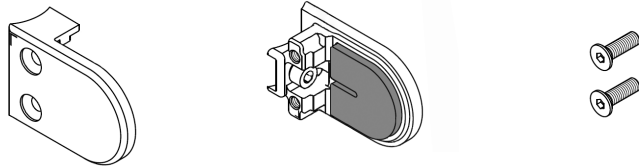




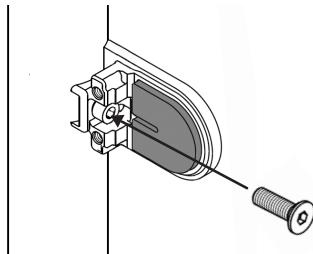
INSTALLATION

The following information will help you streamline set-up and installation.

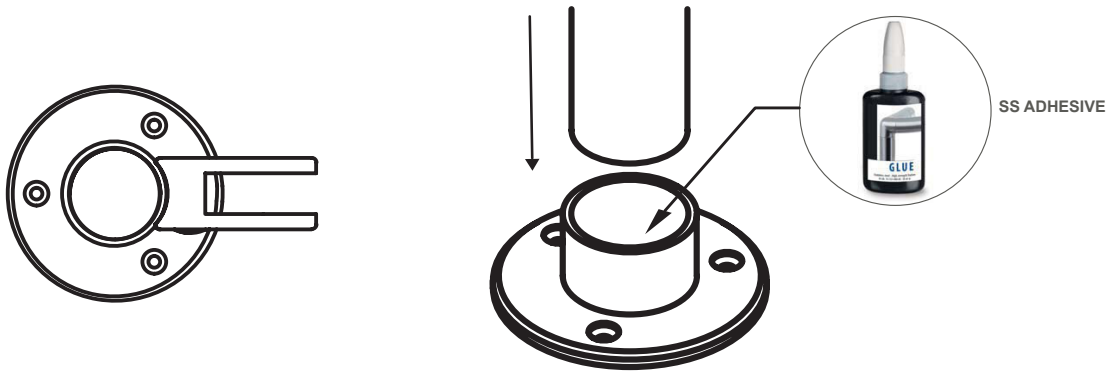
- 1** Disassemble the clamps.



- 2** Attach the clamps to the post.



- 3** Glue the flanges to the bottom of the posts.
NOTE: Make sure the screw holes are not in line with the infill.



- 4** Glue the end caps into the top of the posts.





5

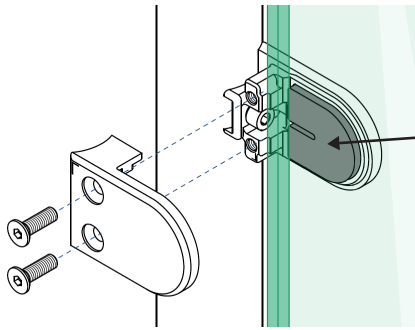
Place the infill into the clamps on one side. Screw the clamps closed around the infill. Place the infill into the clamps on the second post. Screw the clamps closed around the infill.

Set the infill so that the desired clearance exists between the substrate and the bottom edge of the infill.

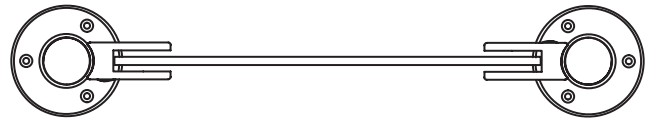
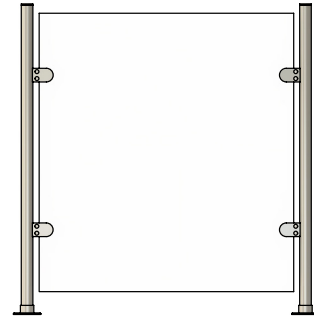
Different Gasket widths will be required for different infill widths.

Use the thicker gasket with 1/4" panel infill.

Use the thinner gasket with 3/8" panel infill.



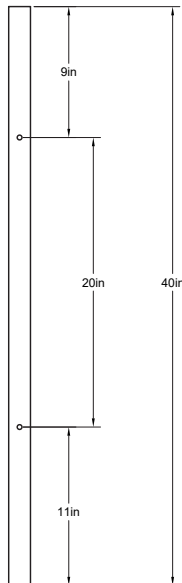
NOTE:
(2) gaskets are required for each clamp.



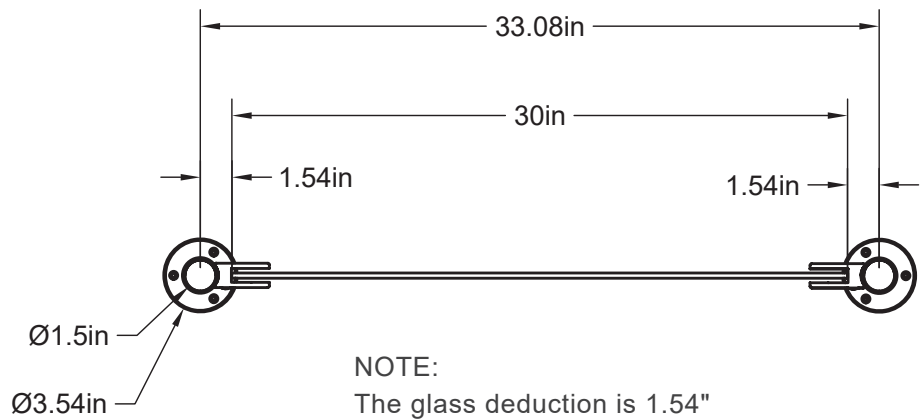
6

Attach the shield to the substrate: Place the shield on the substrate in the final installation position. Mark the pilot hole positions using the screw holes in the flanges. Remove the shield from the substrate. Drill the marked pilot holes. Place the shield back on substrate and drive the screws into place.

SIDE VIEW



TOP VIEW



NOTE:
The glass deduction is 1.54" on each side of the infill

For additional support call 800.325.7513 or visit our website www.morseindustries.com



Northwest Distribution Facility
Morse Industries Headquarters
25811 74th Avenue South
Kent, WA 98032

Southwest Distribution Facility
Morse Industries
3080 Enterprise Avenue, Suite A
Brea, CA 92821

Central U.S. Distribution Facility
Morse Industries
4041 N. Santa Fe Ave.
Oklahoma City, OK 73118

Mid-Atlantic Distribution Facility
Morse Industries
1630 Old Dunbar Road
West Columbia, SC 29172