



FREE STANDING SAFETY SHIELD INSTALLATION INSTRUCTIONS

FREE STANDING SAFETY SHIELD

The Freestanding Countertop Safety Shield is easy to assemble with minimal hardware required. The shield is not permanently mounted to the surface, is movable and offers portable protection without the need for permanent installation or attachment. The gap below the infill allows small items to be passed beneath, and is ideal for a variety of environments including offices, desks, and reception counters.

FREE STANDING SAFETY SHIELD KIT



MOUNTING BASE x2
PART #: S54-3000



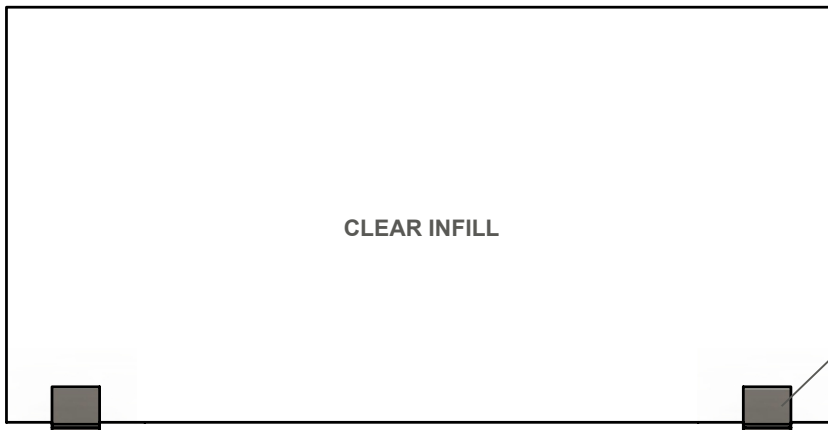
ADDITIONAL INCLUDED ACCESSORIES:



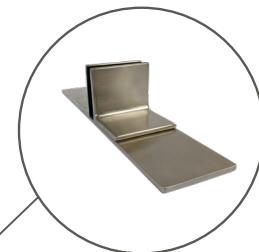
GLAZING GASKETS
For 1/4" and 3/8" Infill



DOUBLE SIDED TAPE



CLEAR INFILL



MOUNTING BASE

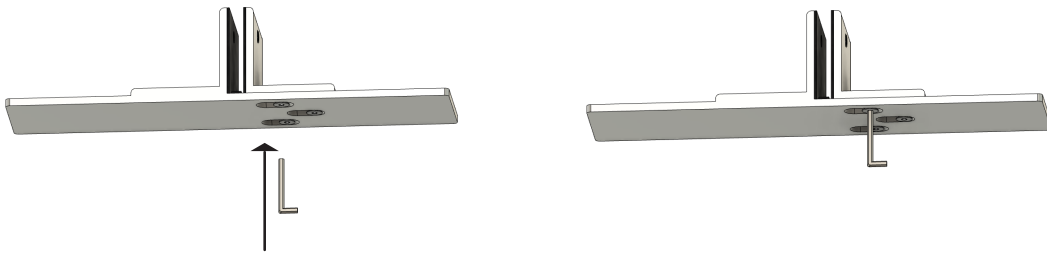


INSTALLATION

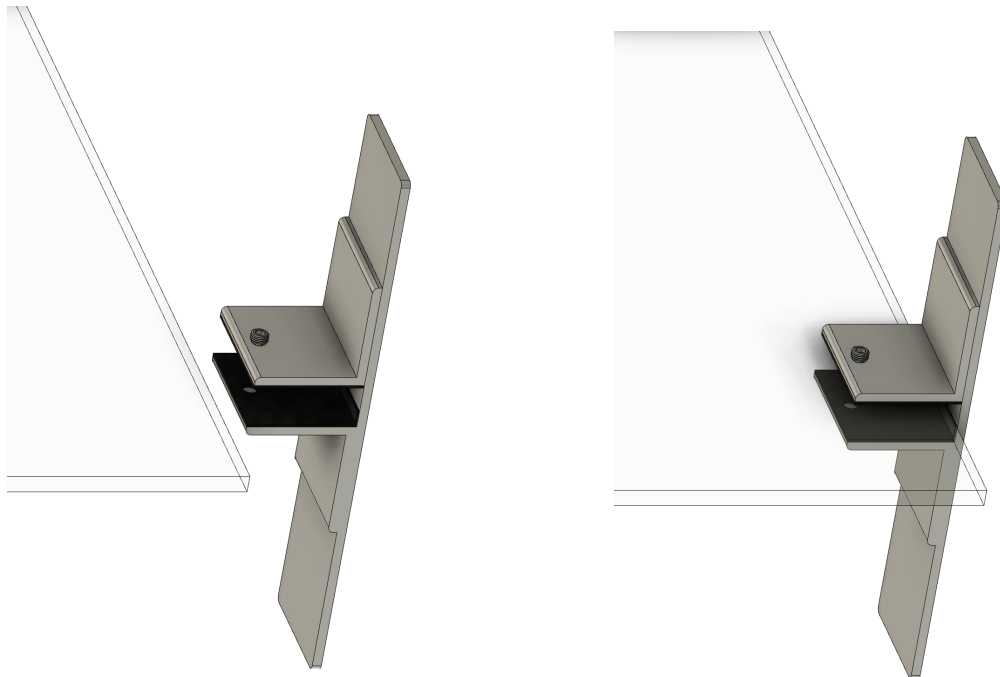
The following information will help you streamline set-up and installation.

- 1 Place the glass or acrylic panel on a flat table edge.

- 2 Loosen the (3) 4mm allen screws on the bottom of the brackets.



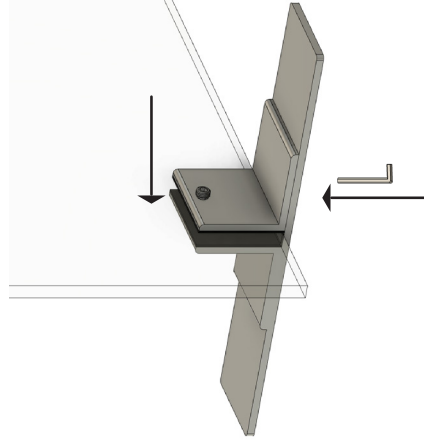
- 3 Slide brackets into position with the provided glazing gaskets in place.





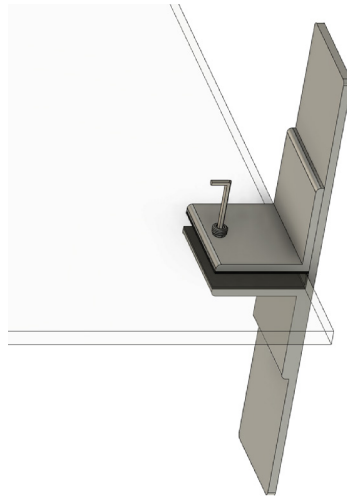
4

Hand press the glass brackets snug tight together on the panel and tighten the (3) 4mm allen screws on the adjustable mounting plate.



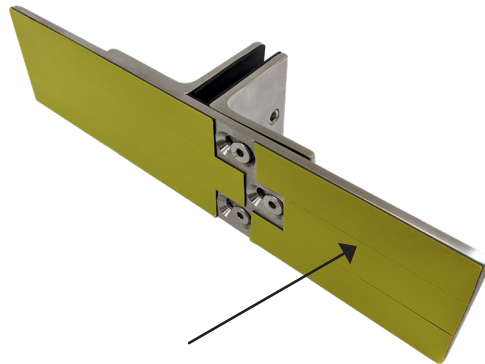
5

Tighten the (1) 5mm allen set screw on the vertical flange.



6

OPTIONAL: Secure to counter by peeling the strip off the double sided tape and set firmly in place.



For additional support call 800.325.7513 or visit our website www.morseindustries.com



Northwest Distribution Facility
Morse Industries Headquarters
25811 74th Avenue South
Kent, WA 98032

Southwest Distribution Facility
Morse Industries
3080 Enterprise Avenue, Suite A
Brea, CA 92821

Central U.S. Distribution Facility
Morse Industries
4041 N. Santa Fe Ave.
Oklahoma City, OK 73118

Mid-Atlantic Distribution Facility
Morse Industries
1630 Old Dunbar Road
West Columbia, SC 29172