

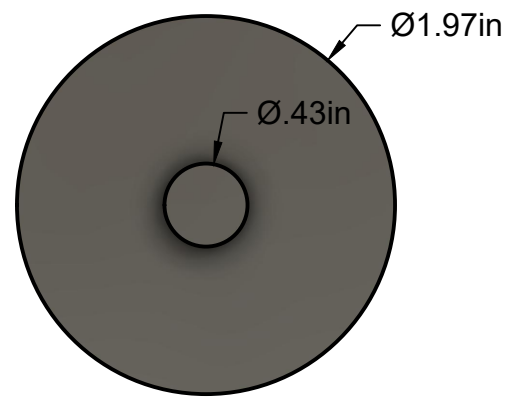
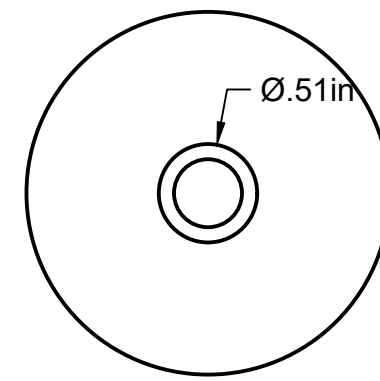




Project:	Railing Products and Mock Ups
Title:	R13-0150-000-12
Description:	
Scale:	1:1
Date Drawn:	7/18/2019
 <p>MORSE INDUSTRIES An  Company</p>	

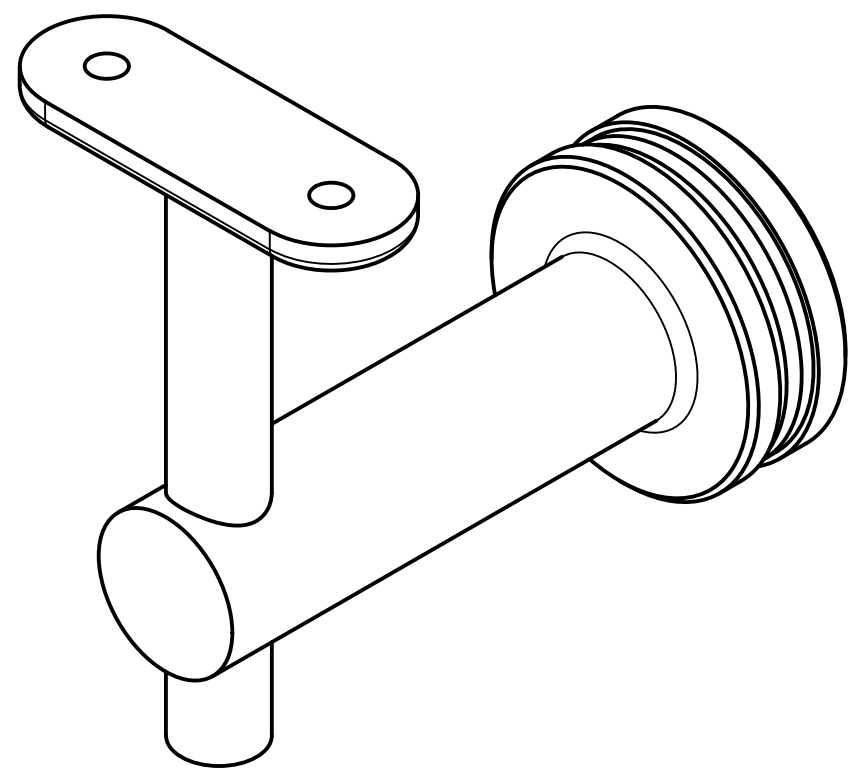
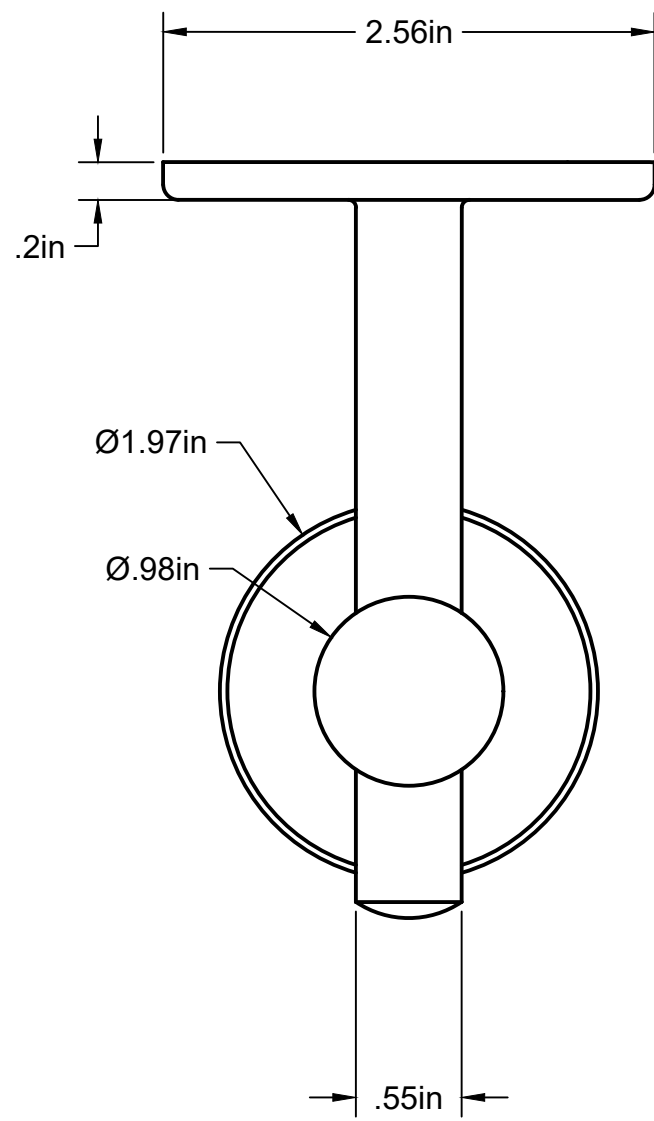
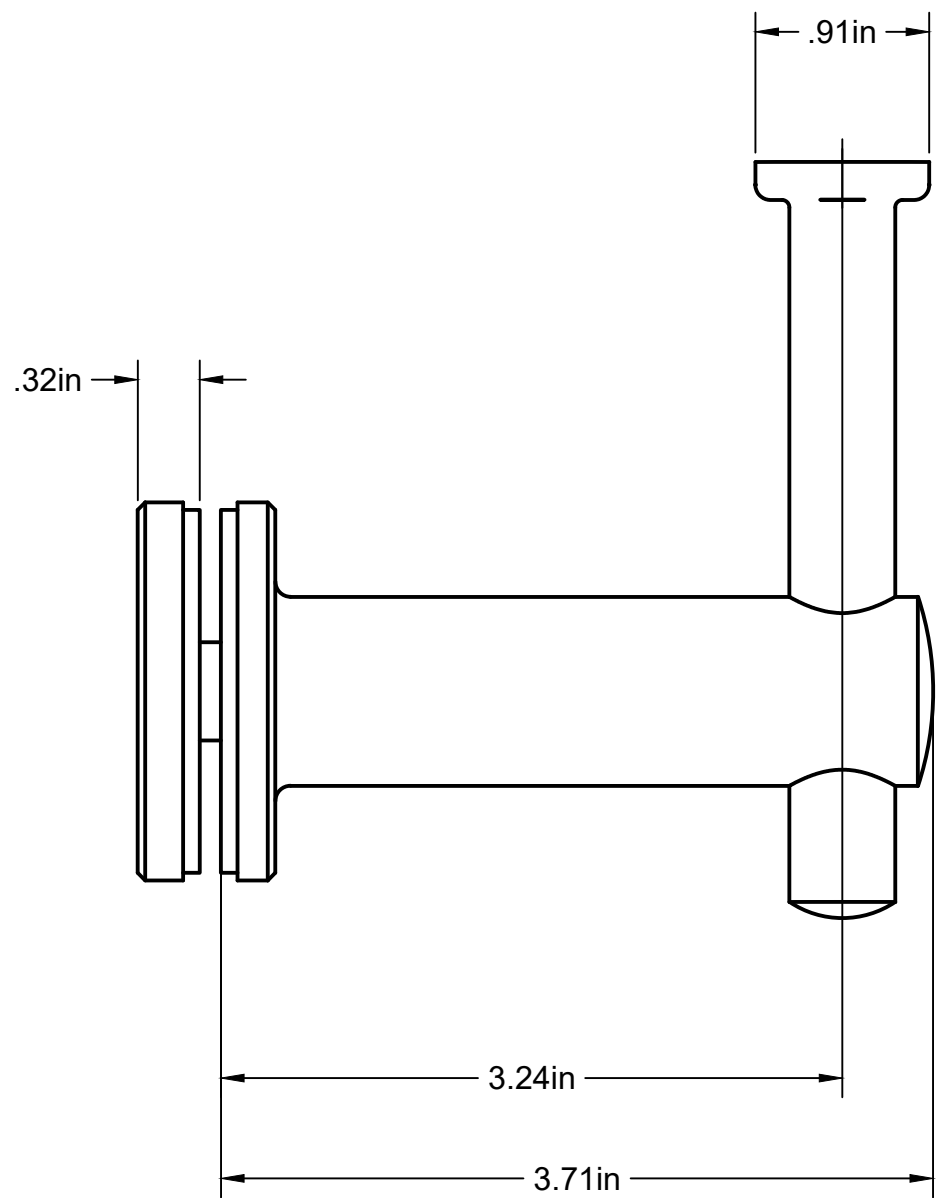



Back Button



Back Gasket

Project:	Railing Products and Mock Ups
Title:	R13-0150-000-12
Description:	
Scale:	1:1
Date Drawn:	7/18/2019
 An  Company	



Project: Railing Products and Mock Ups	
Title: R13-0150-000-12	
Description:	
	Scale: 1:1
	Date Drawn: 7/18/2019