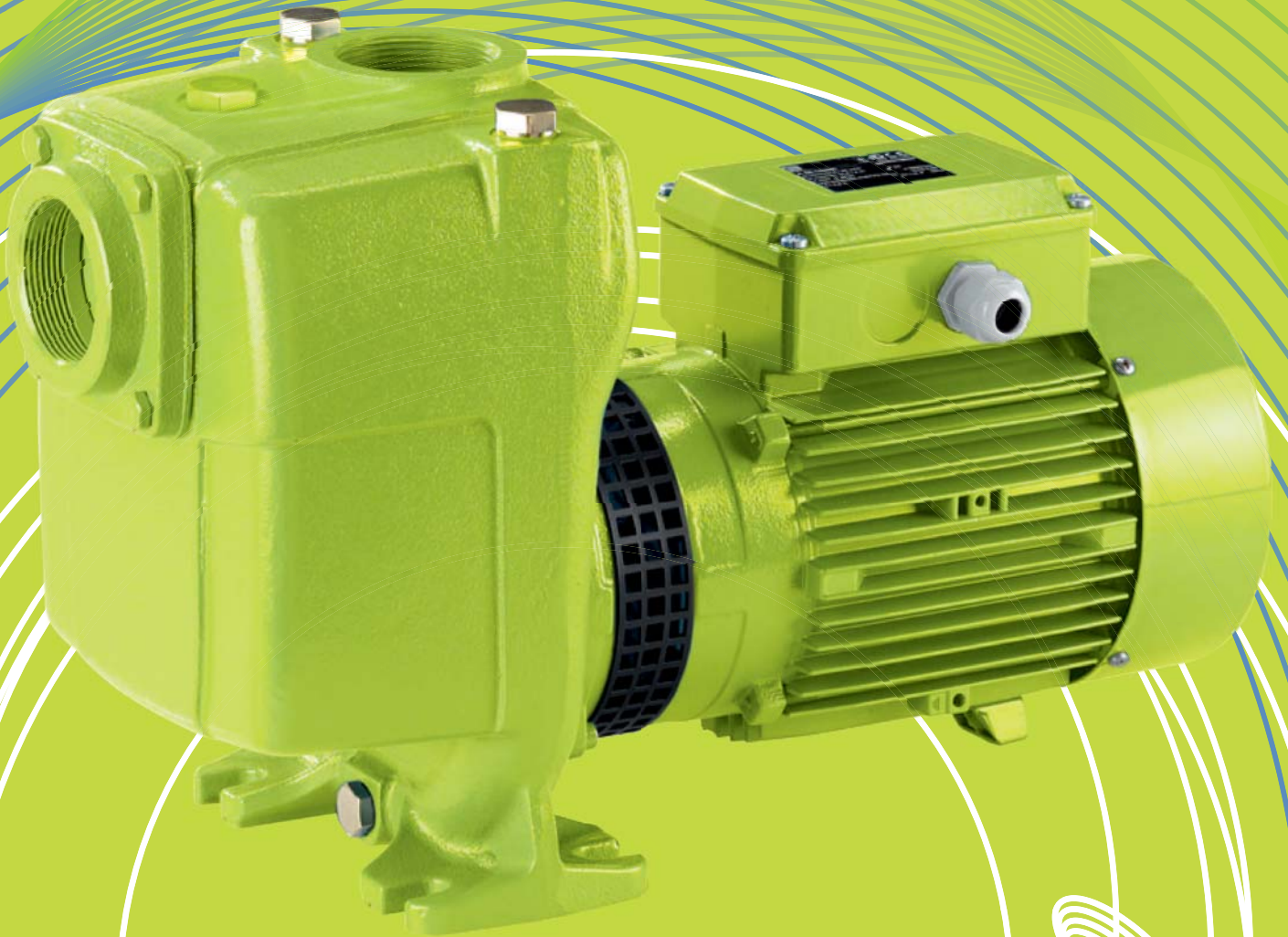
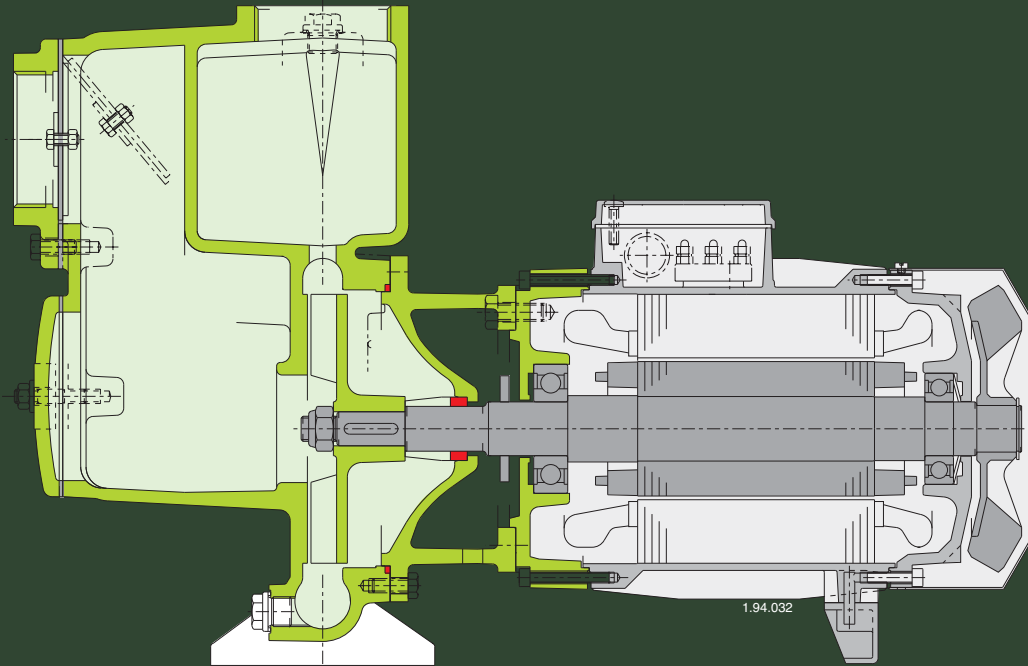


RCMT Series Close Coupled Mild Trash Pumps Product Overview

*Advanced design for smooth
efficient operation*



Remko



Close Coupled Mild Trash Pumps

FAST SELF PRIMING

An integrated non-return valve and the design of the pump casing ensures rapid priming, once the pump body has been filled with water.

FLEXIBLE

The option to choose between cast iron and bronze materials for the hydraulic parts in contact with the pumped liquid allows A series pumps to be selected for use with different types of liquids.

SOLID PARTS

The open impeller allows for the passage of suspended solids in pumped liquid.

EXCLUSIVE DESIGN

An innovative, patented guard prevents contact with rotating parts, providing protection to the end user whilst allowing for inspection of the mechanical seal.

RELIABLE

The bearing and shaft are designed to ensure the reduction of the stress, providing high reliability under all operating conditions.

RCMT Series



CONSTRUCTION

Close-coupled centrifugal pumps with open impeller. The built-in backflow preventer avoids reverse siphoning when the pump is stopped and assures automatic re-priming at the next start. The pump re-priming itself even if partially filled with liquid and with completely empty suction pipe. Pump casing and lantern bracket is cast iron.

APPLICATIONS

For clean or slightly dirty water, also with solids up to 10 mm grain size for RCMT-40, RCMT-50 and 15 mm for RCMT-65, RCMT-80. For draining a basin or a sump. For irrigation. For civil and industrial applications.

OPERATING CONDITIONS

Liquid temperature from -10°C to $+90^{\circ}\text{C}$.
Room temperature up to 40°C .
Maximum permissible working pressure up to 6 bar (10 bar for RCMT-80).
Continuous duty.

MATERIALS	
Components	RCMT
Pump casing Suction flange Inspection Cover Lantern Bracket Impeller	Cast Iron GJL 200 EN 1561
Shaft	Chrome-Nickel Steel 1.4305 EN 10088 (AISI 303) Chrome Steel 1.4104 EN 10088 (AISI 430) for A 40.110, A 65-150A,B
Mechanical Seal	Carbon - Ceramic - NBR

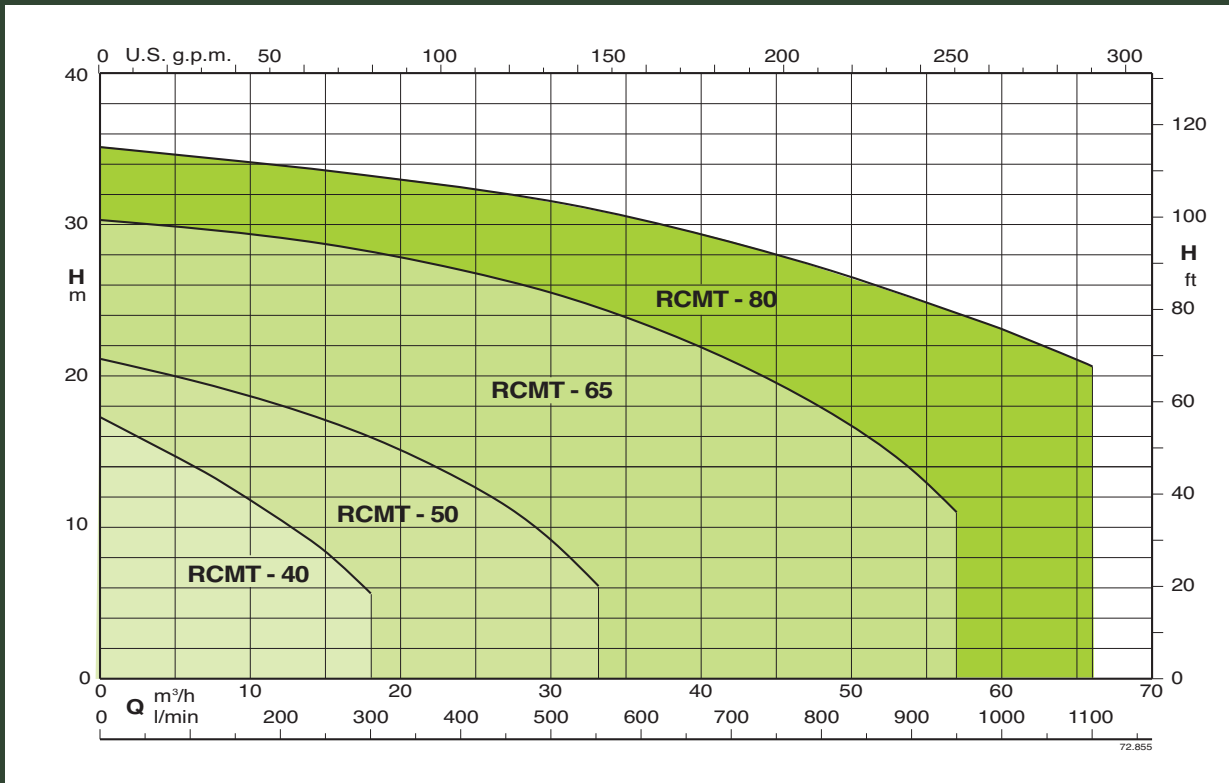
MOTOR

2-pole induction motor, 50 Hz ($n \approx 2900$ rpm).
RCMT three-phase
230/400 V $\pm 10\%$ up to 3 kW;
400/690 V $\pm 10\%$ from 4 to 7,5 kW;
RCMT single-phase
230 V $\pm 10\%$, with thermal protector.
Capacitor inside the terminal box – add 5 to end of Part No, eg. RCMT-40-135.
Insulation class F.
Protection IP 54.
Classification scheme IE3 for three-phase motors from 0,75 kW.
Constructed in accordance with:
EN 60034-1; EN 60034-30-1.
EN 60335-1, EN 60335-2-41.

SPECIAL FEATURES ON REQUEST

Other voltages.
Frequency 60 Hz.
Protection IP 55.
Special mechanical seal.
Higher or lower liquid or ambient temperatures.
Construction with bearing bracket.
Bronze construction.

Coverage Chart $n \approx 2900$ rpm



Performance $n \approx 2900$ rpm

	3 ~ 230 V 400 V		1 ~ 230 V		P ₁ kW	P ₂		Q m³/h l/min										
	A	A	A	A		kW	HP		H _m	3,6	4,8	6	7,5	8,4	9,6	10,8	12	15
RCMT-40-B	2,8	1,6	RMCT-40-BS	4,5	0,85	0,55	0,75	H _m	12,9	12,4	11,8	11	10,4	9,8	9	8,3	6	3,4
RCMT-40-A	3,7	2,2	RMCT-40-AS	6	1,1	0,75	1		15,4	14,9	14,2	13,3	12,9	12,1	11,3	10,5	8,4	5,6

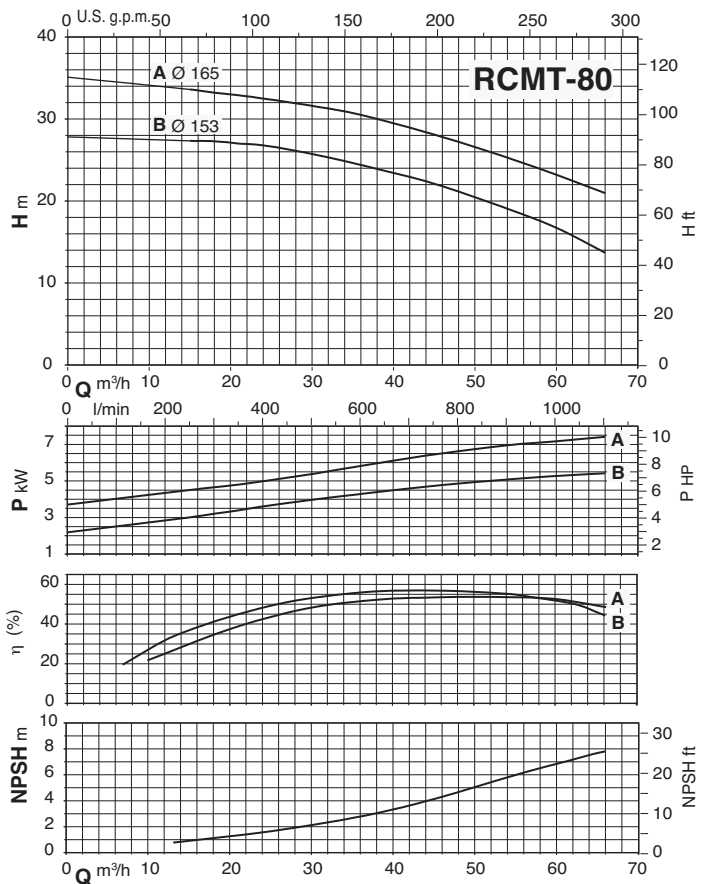
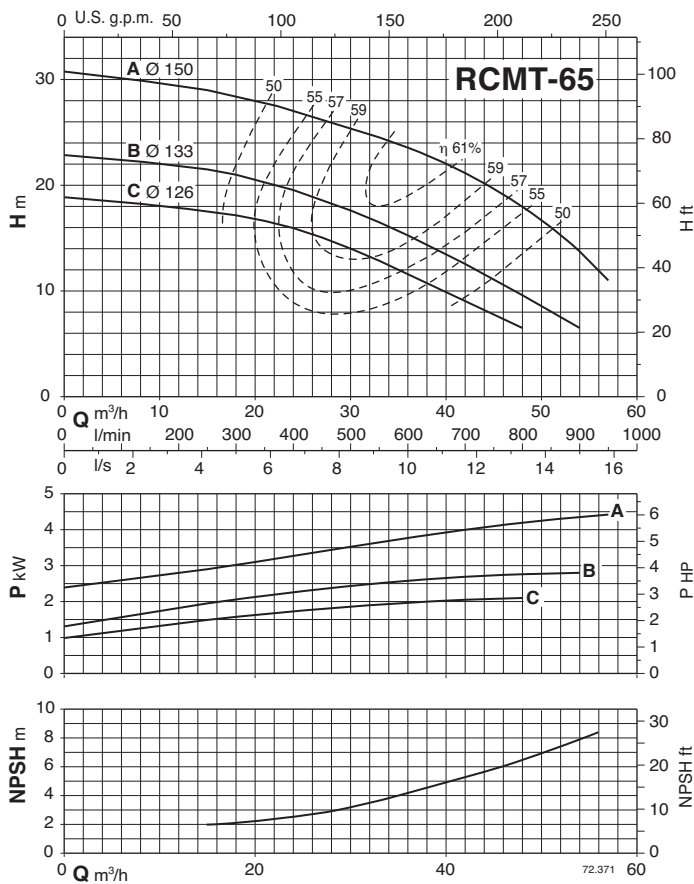
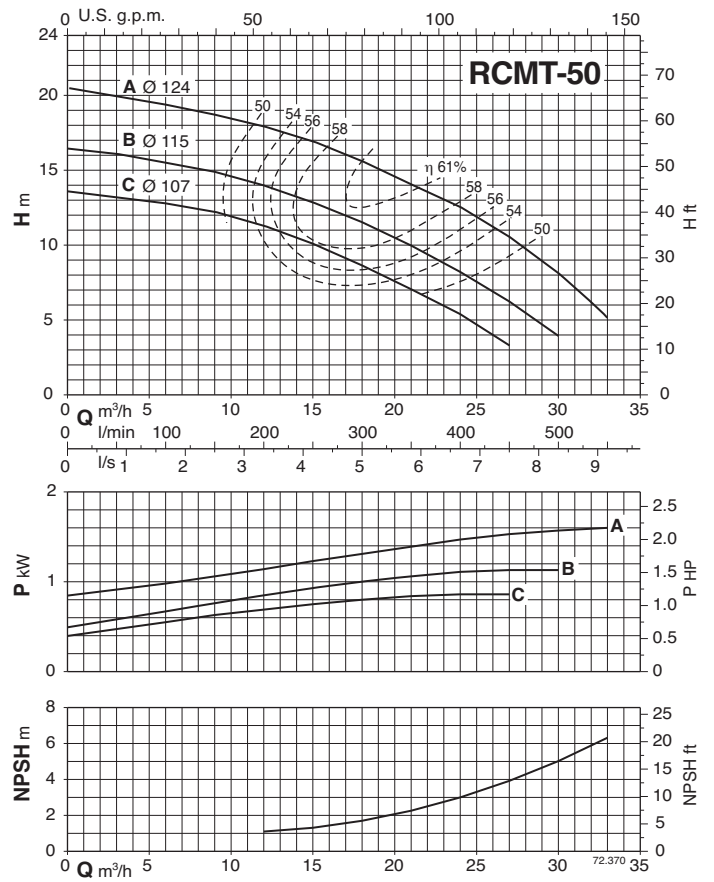
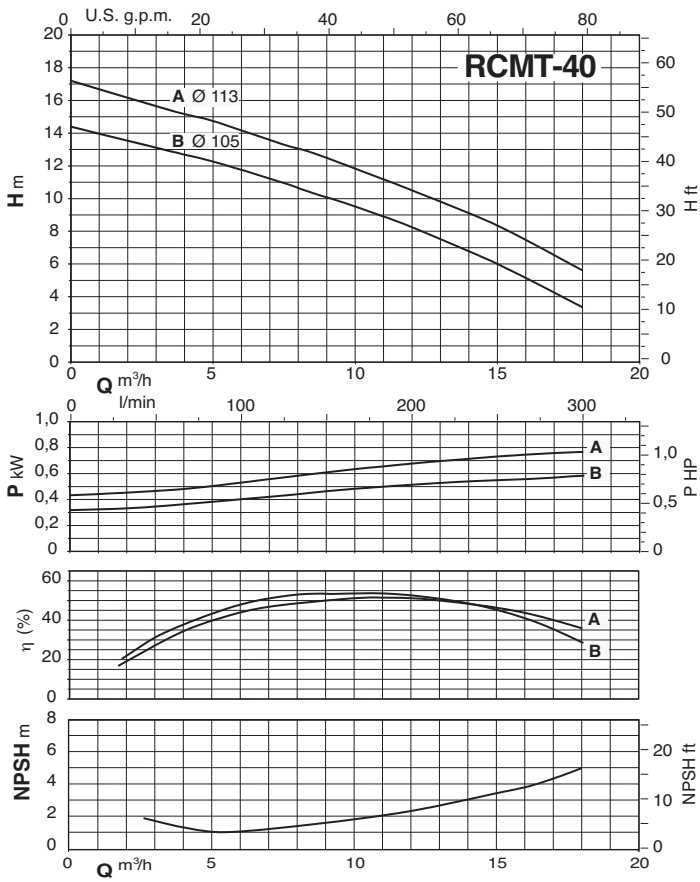
	3 ~ 230 V 400 V		1 ~ 230 V		P ₁ kW	P ₂		Q m³/h l/min										
	A	A	A	A		kW	HP		H _m	6	9	12	15	18	21	24	27	30
RCMT-50-C	3,3	1,9	RMCT-50-CS	5,8	1,2	0,75	1	H _m	12,8	12,2	11,3	10	8,5	7	5,3	3,3		
RCMT-50-B	4,7	2,7	RMCT-50-BS	7,4	1,6	1,1	1,5		15,5	14,9	14,2	12,9	11,6	10	8,3	6,2	4	
RCMT-50-A	7,5	4,3	RMCT-50-AS	9,2	2,1	1,5	2		19,5	19	18	17	15,5	14	12,5	10,5	8	5

	3 ~ 230 V 400 V				P ₁ kW	P ₂		Q m³/h l/min										
	A	A	A	A		kW	HP		H _m	15	18	24	30	33	36	42	48	54
RMCT-65-C	11,5	6,6				2,2	3	H _m	17,5	17	16	14	13	11,5	9	6,5		
RMCT-65-B	11,5	6,6				3	4		21,5	21	19,5	17,5	16,5	15,5	12,5	9,5	6,5	
RCMT-65-A	-	9,6				4	5,5		29	28	27	25,5	24,5	23,5	21	18	14	11

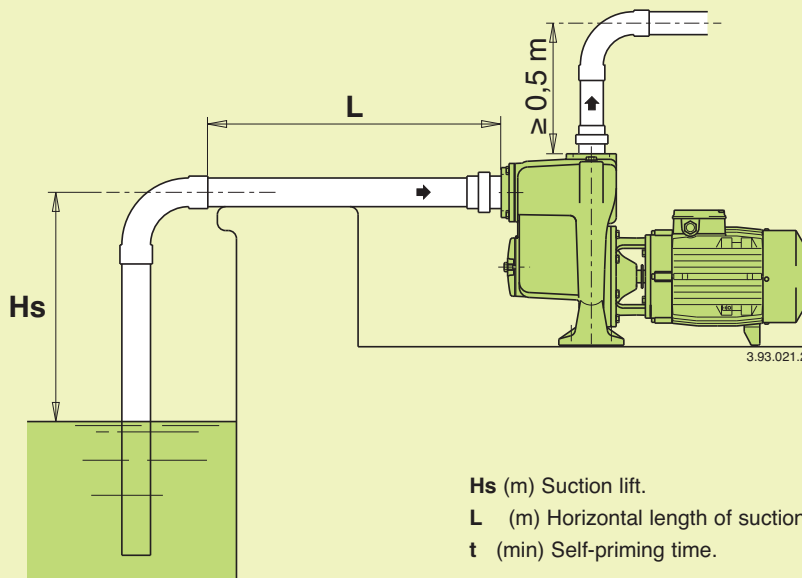
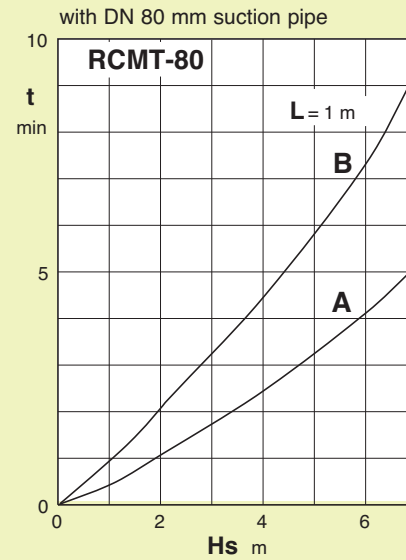
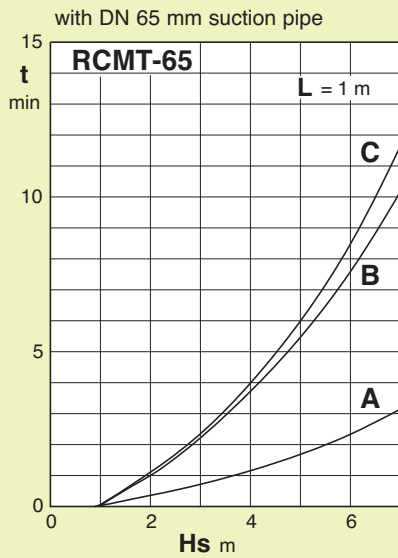
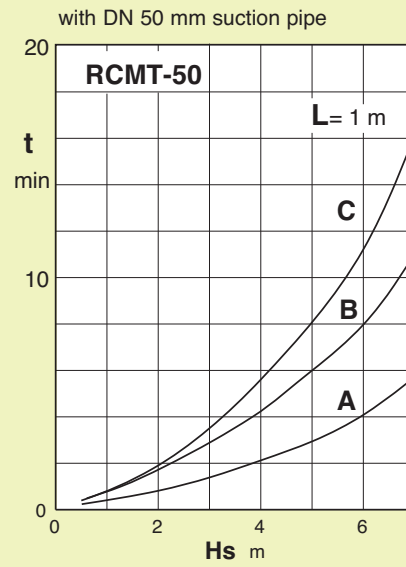
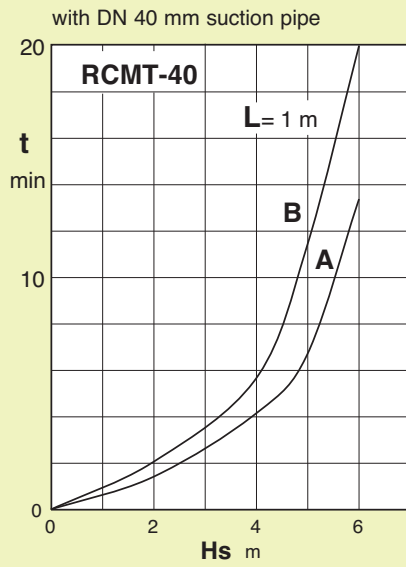
	3 ~ 230 V 400 V				P ₁ kW	P ₂		Q m³/h l/min										
	A	A	A	A		kW	HP		H _m	15	18	21	24	30	36	45	54	60
RMCT-80-B	-	10,9				5,5	7,5	H _m	27,3	27,3	27	26,8	25,7	24,4	22,1	19	16,7	13,7
RMCT-80-A	-	14,3				7,5	10		33,6	33,2	32,9	32,5	31,6	30,5	28,1	25,3	23,2	20,4

P₁ Maximum power input. P₂ Rated motor power output. H Total head in m. B-A, B-AM = Bronze construction. Tolerances according to UNI EN ISO 9906:2012

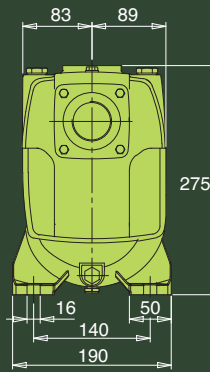
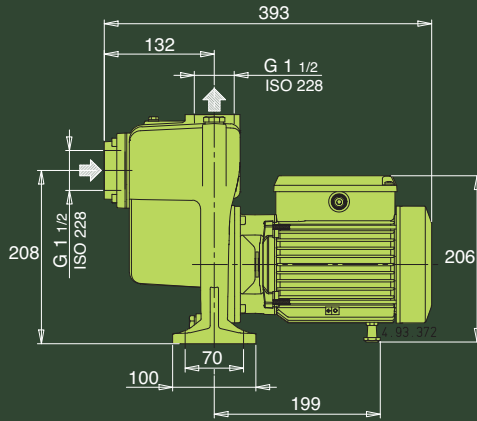
Characteristic Curves $n \approx 2900$ rpm



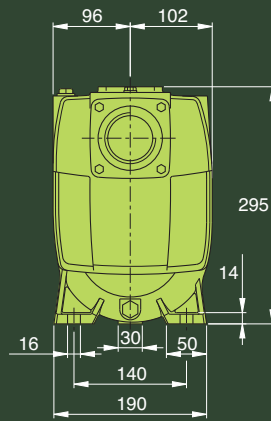
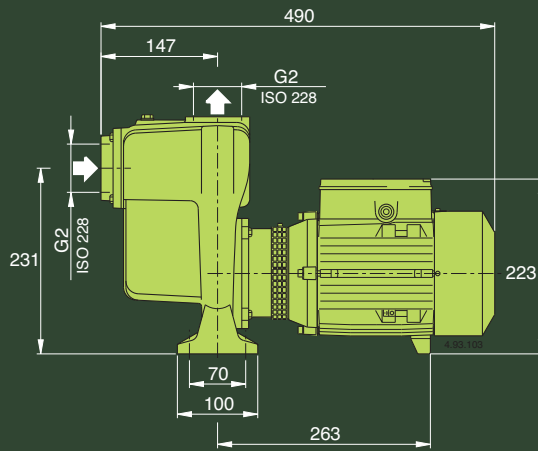
Self Priming Capability



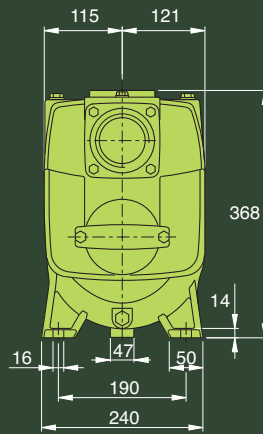
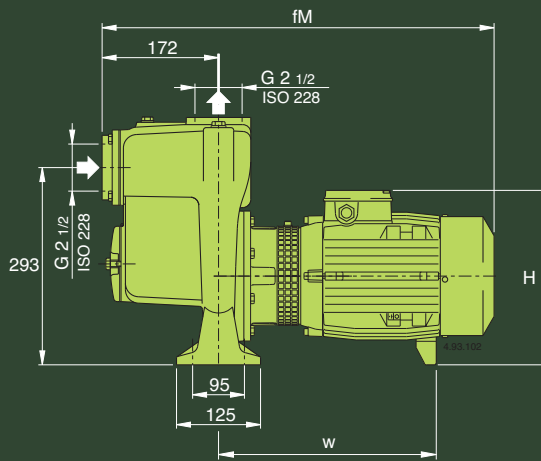
Dimensions and Weights



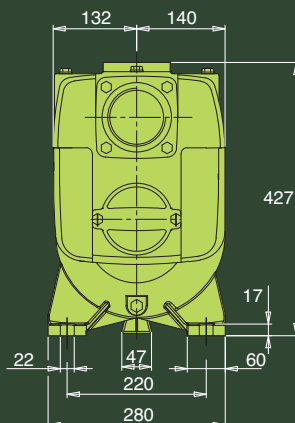
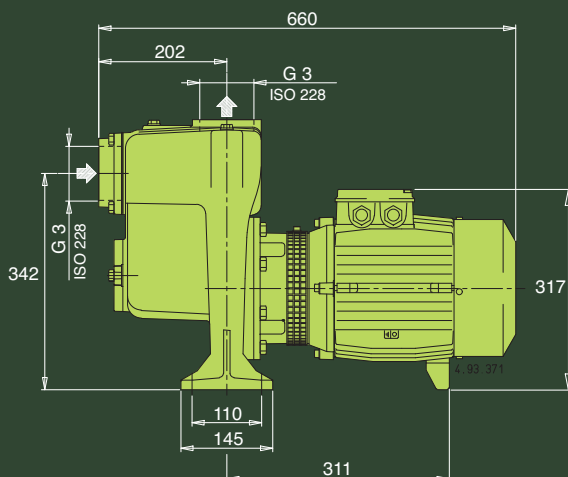
	kg
RCMT-40-A	20,6
RCMT-40-AS	20,8
RCMT-40-B	18,9
RCMT-40-BS	19,8



	kg
RCMT-50-A	29,9
RCMT-50-AS	31
RCMT-50-B	28
RCMT-50-BS	29,1
RCMT-50-C	26,9
RCMT-50-CS	27,8



TYPE	mm			kg
	fM	H	w	
RCMT-65-A	595	270	324	58,5
RCMT-65-B	595	270	324	57
RCMT-65-C	595	270	324	56,7



	kg
RCMT-80-A	85,8
RCMT-80-B	80,3

REMKO DISTRIBUTION NETWORK



Remko quality close coupled mild trash pumps are distributed to suppliers and clients throughout Australia and New Zealand.

Remko 1800 333 424