



Axial Flow Pump



RX.200.55



RX.300.110



The concept of utilising a submersible pump system is favoured due to the reduction or elimination of superstructure, noise, cooling issues, installation and operation costs.

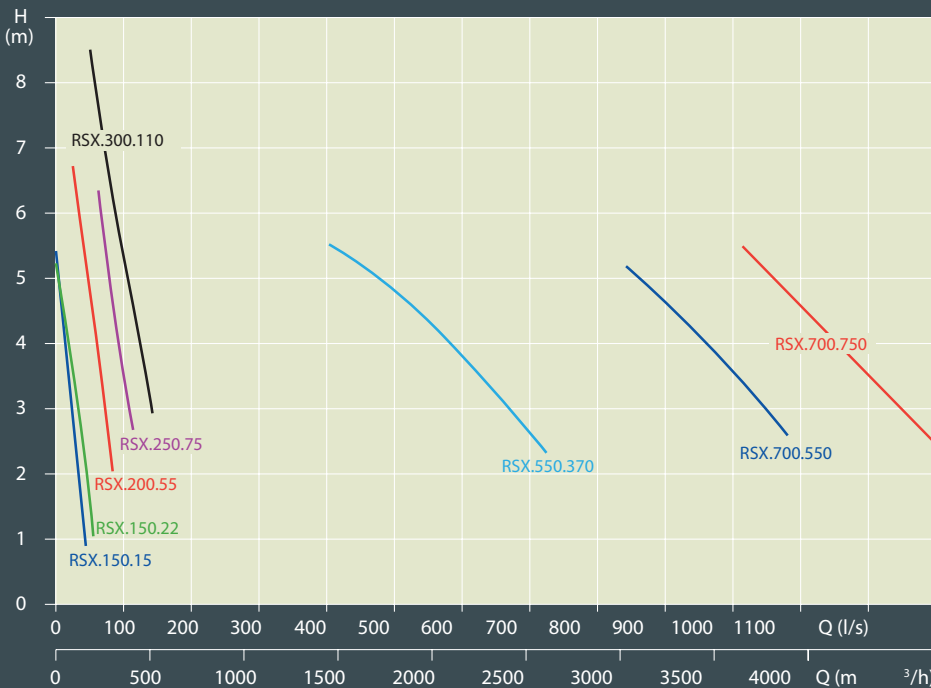
Remko Axial Flow Pumps are compact high performance pumps. They benefit with design features that reduce maintenance requirements and maximise reliability.

Max Head: 9m
Max Flow: 1333 l/sec

OPTIONS AVAILABLE

- Condition monitors and motor protection
- Bearing Thermal Protection (BTP) enables preventative maintenance prior to bearing failure. This eliminates costly and possible destructive damage
- Seal probes monitor the seal chamber oil for indications of any seal leakage
- Thermal motor protection
- Special coatings
- Zinc anodes for sea water installations

PERFORMANCE CURVES



SPECIFICATIONS

Pump Model	Outlet (mm)	Power (kW)	Amps (415 volt)	Speed (rpm)	Solids Passage (mm)	Free Standing			Well Type		
						Width (mm)	Height (mm)	Weight (kg)	Width (mm)	Height (mm)	Weight (kg)
RSX.150.15	150	1.5	3.8	1440	20	-	-	-	285	638	50
RSX.150.22	150	2.2	5.0	1440	20	-	-	-	285	638	52
RSX.200.55	200	5.5	11.1	1440	22	-	-	-	340	923	122
RSX.250.75	250	7.5	14.8	1440	22	-	-	-	380	1015	164
RSX.300.110	300	11.0	21.0	1440	23	-	-	-	430	1077	209
RSX.550.370	550	37.0	80.0	750	-	780	1300	850	780	1960	1180
RSX.700.550	700	55.0	115.0	600	-	870	2150	1530	870	2760	2060
RSX.700.750	700	75.0	182.0	600	-	870	2150	1600	870	2760	2130



Axial Flow Pump



High volume water transfer

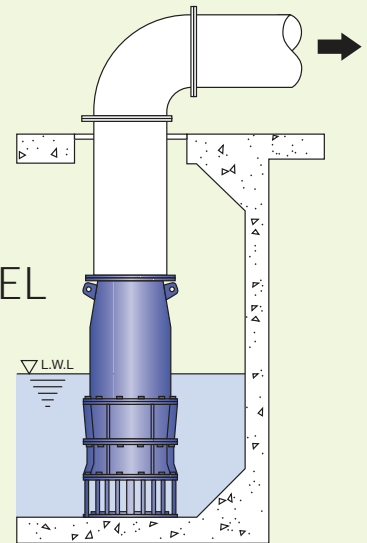
STORMWATER AND FLOOD CONTROL

HIGH VOLUME DEWATERING

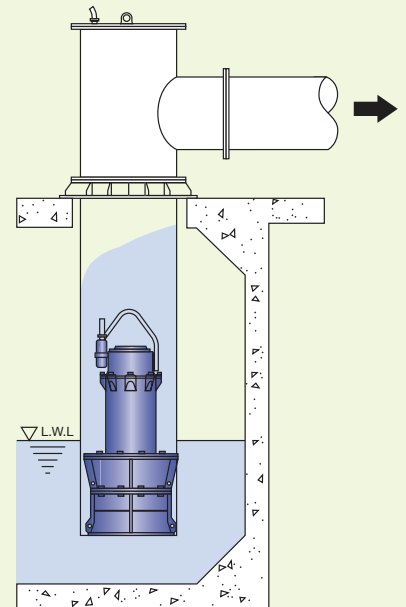
WASTEWATER TREATMENT FACILITIES

WETLAND LEVEL CONTROL

INDUSTRY



FREE STANDING



WELL TYPE

RSX.550.370