

# ATEX CERTIFICATIONS & REQUIREMENTS

## NEUTRALIZE THE RISK OF EXPLOSION

When cleaning with solvent, special precautions must be taken in order to completely neutralize the risk of explosion or fire in the immediate area.

Flexo Wash takes these precautions by delivering washing equipment according to the ATEX directive 2014/34/EU intended for use in potentially explosive atmospheres.

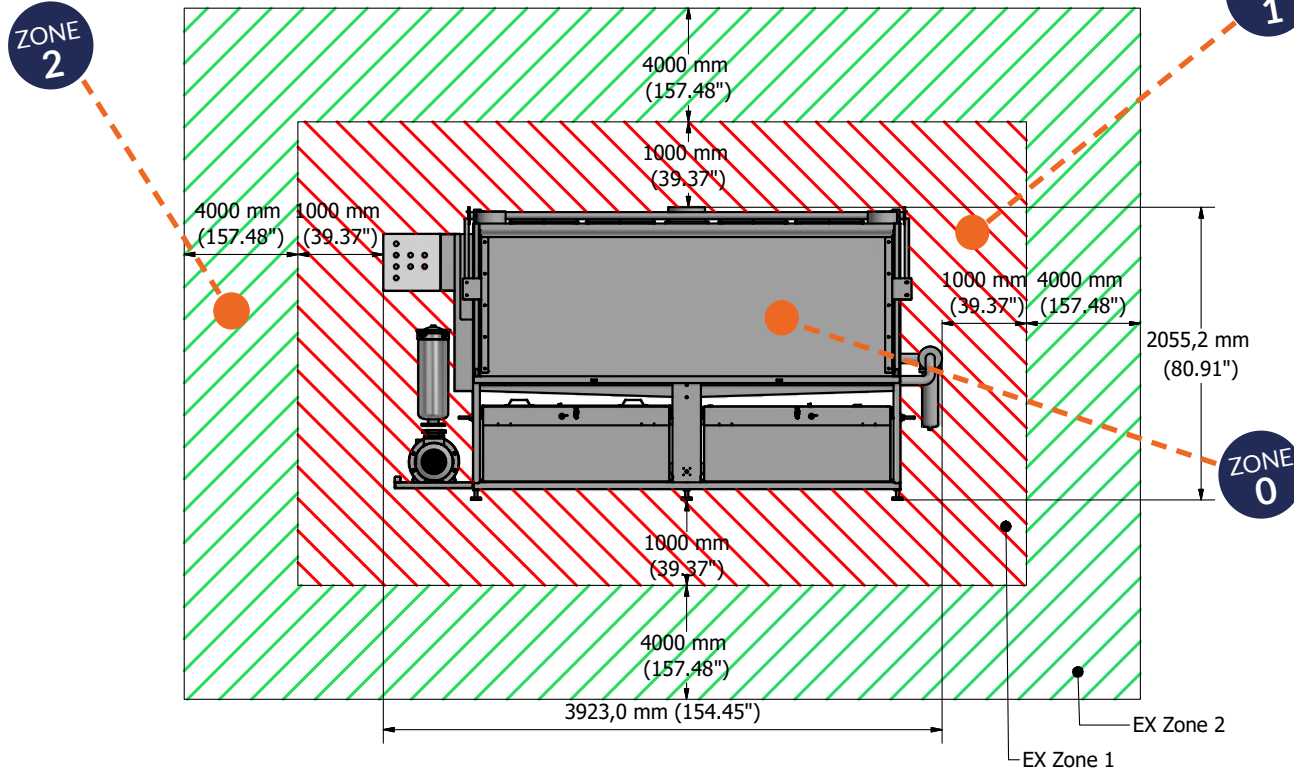
## ATEX APPROVAL

Flexo Wash collaborates with notified bodies for approval of the equipment, ensuring that each unit is safe being EEX-proof according to the ATEX standard and certified by ExVeritas.

### CATEGORY III

Less than 10 hours of explosive atmosphere per year.

Zone 2 is often referred to as the remotely hazardous area.



### CATEGORY II

Between 10 and 100 hours of explosive atmosphere per year.

Around the unit will be ATEX zone 1.

### CATEGORY I

Explosive atmosphere is continuously present for long periods.

Inside the washing unit and tanks the unit will have ATEX zone 0

*ALL electrical fittings & bulbs placed in zone 0-2 must be ATEX certified - ask FW if you are in doubt!*

