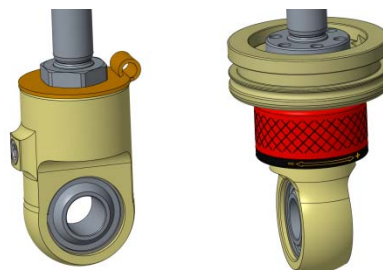


TITLE	REV	DATE	AUTHOR	DEPARTMENT
Late Model Eyelet Servicing Procedure	1	03/03/17	Steve Jarosz	Engineering

1. Overview

- This document will explain the proper way to service the AS-73EY90CL-DRAG, and AS-73KB eyelet assemblies, see Figure 1.
- Figure 2 and Figure 3 shows the cross section of both eyelet assemblies at the adjusters' full hard and full soft state, respectively. At certain points during re-assembly the eyelet adjuster will have to be at one of these extremes to prevent damage to internal components when torquing the eyelet.



AS-73EY90CL-DRAG AS-73KB
Figure 1: Eyelet Assemblies fitted to 1/2" shaft

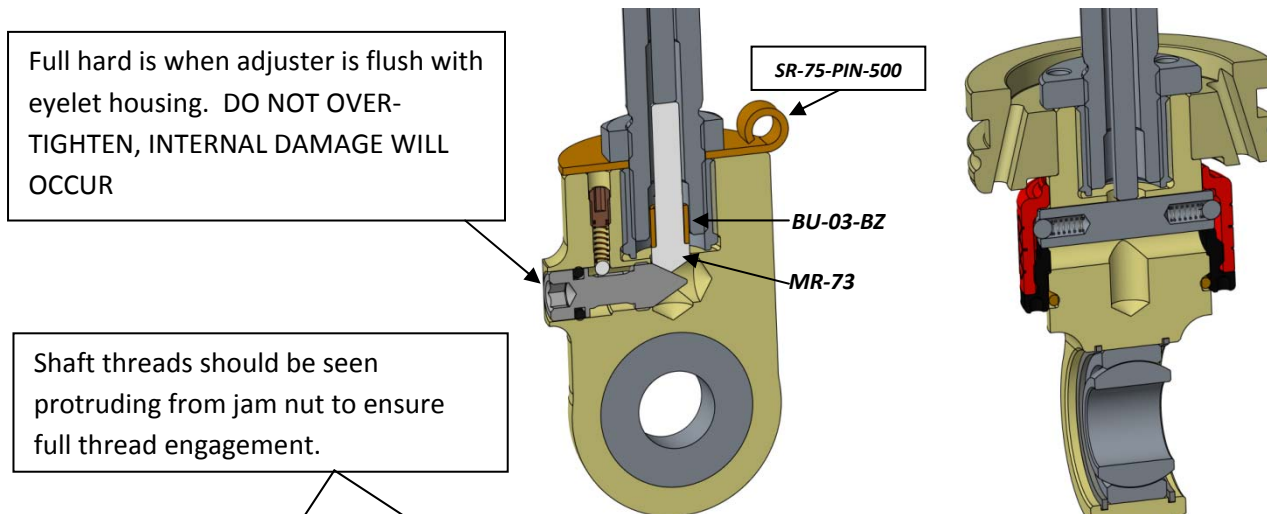


Figure 2: Eyelet Assemblies at Full Hard Position

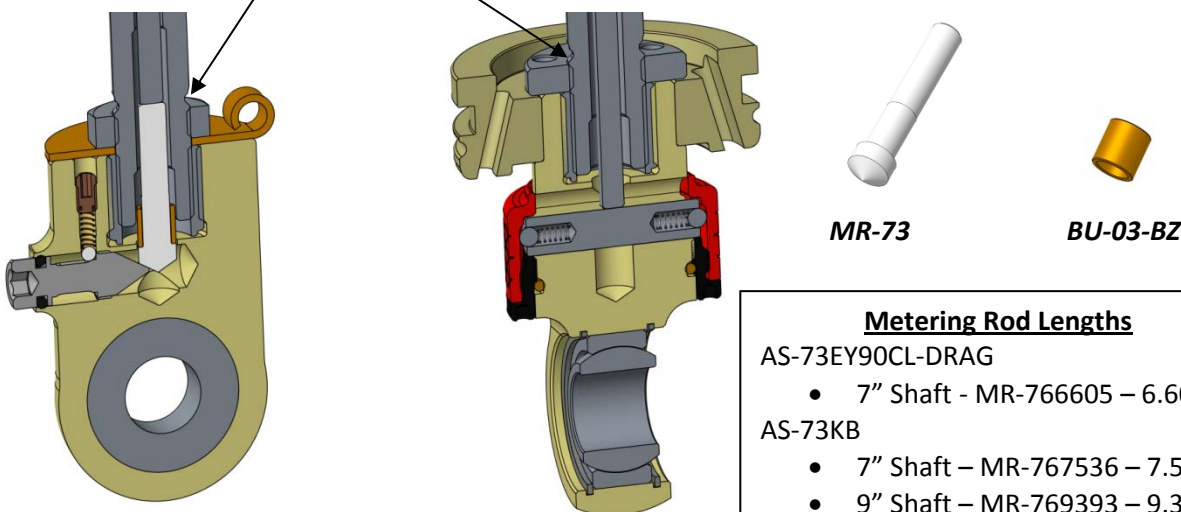


Figure 3: Eyelet Assemblies at Full Soft Position

Metering Rod Lengths	
AS-73EY90CL-DRAG	• 7" Shaft - MR-766605 – 6.605"
AS-73KB	• 7" Shaft – MR-767536 – 7.536"
	• 9" Shaft – MR-769393 – 9.393"

2. Procedure

a. Disassembly

- i. Loosen jam nut, unthread eyelet. Inspect threads for damage/debris and clean for re-assembly.
- ii. If using the AS-73EY90CL-DRAG, remove the MR-73, BU-03-BZ, and metering rod. If using the AS-73KB, there will only be a metering rod to remove. Clean internal parts before reassembly.

b. Reassembly

- i. Before reassembly, ensure eyelet adjuster is at full hard position (See Figure 2). This is to ensure that the full hard position of the adjuster will fully close the needle. If the adjuster is open during assembly, not only is there a chance that the needle will not be able to fully close, but damage may occur to internal components.
- ii. Reinstall metering rod and if using AS-73EY90CL-DRAG, install MR-73 and BU-03-BZ as well.
- iii. Thread jam nut towards the thread relief until it stops. Then slide on the Spring Retainer Plate (SR-75-PIN-500). (if using the AS-73KB, spring retainer mount will be fixed to eyelet already)
- iv. Thread eyelet onto shaft until it bottoms. Add Blue Loctite 243 to eyelet threads when threading onto shaft for race installation.
- v. Now, hand tighten the jam nut to eyelet. **DO NOT FULLY TORQUE NUT AT THIS POINT!**
- vi. **VERY IMPORTANT:** Turn adjuster one to two full rotations in the open/soft direction to relieve tension on metering rod and needle. If this step is not followed, tightening the eyelet will likely damage one or more parts internally.
- vii. When the adjuster is in a softer position the jam nut may now be torqued to the desired spec.

3. Tooling

- a. For NT-14J use $\frac{3}{4}$ " open crescent wrench to tighten jam nut.
- b. For NT-2000J use TL-8780-JN (See Figure 4).

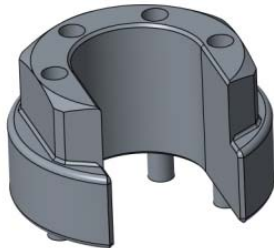


Figure 4: TL-8780-JN

4. Contact

If you have any questions please contact the Engineering Department at Penske Racing Shocks (610)-375-6180

Revision	Description	Date	Initials
1	Initial Release	03/03/17	SAJ