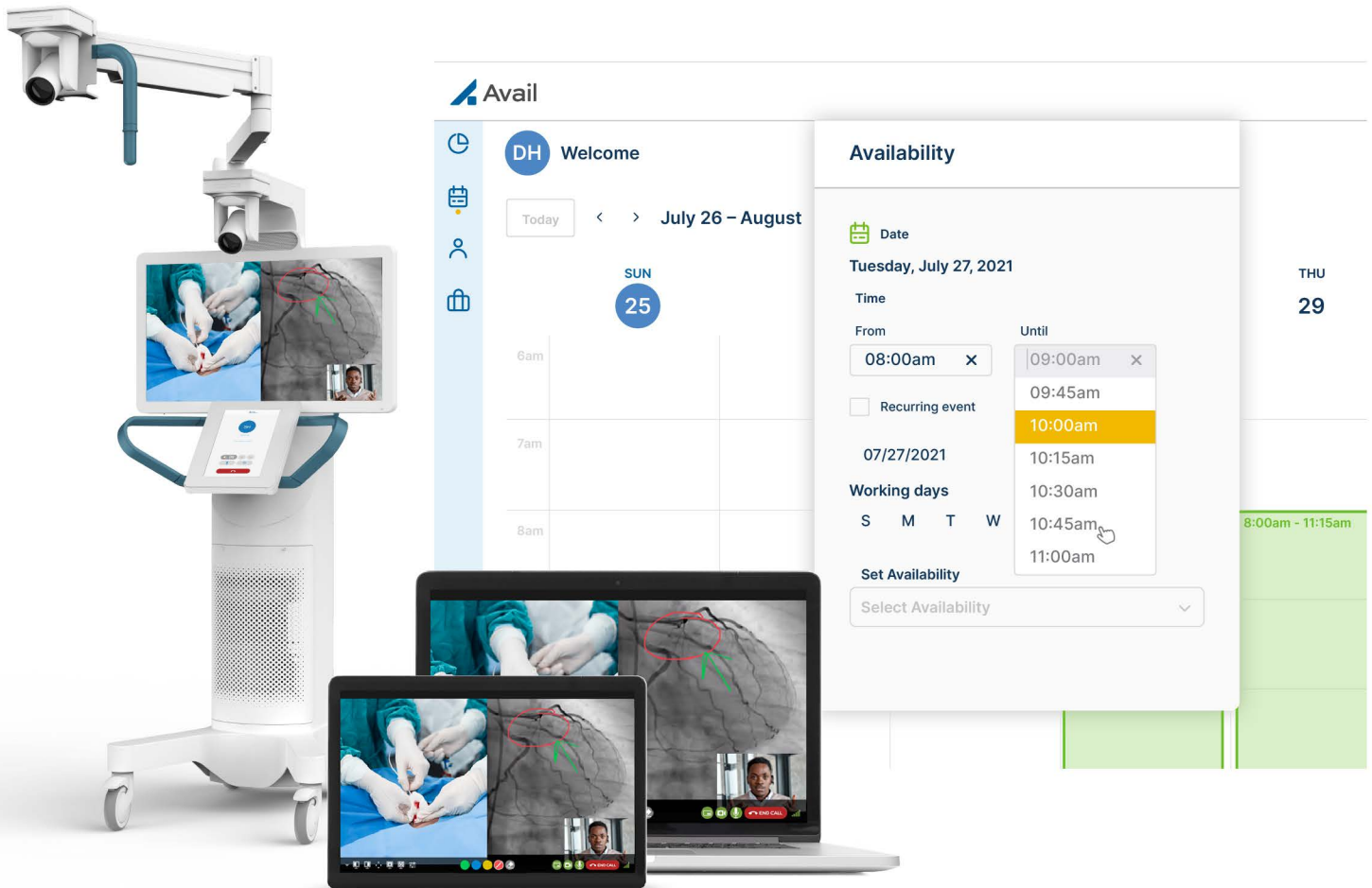


# Avail is connecting a world of expertise

## Enabling collaboration during procedures in real time.



## Meet the Avail System

### Avail console

We'll set up a console at your location and do all the heavy lifting. Turn it on and you're ready to go. Make a call with just a tap on the touchscreen.

### Remote app

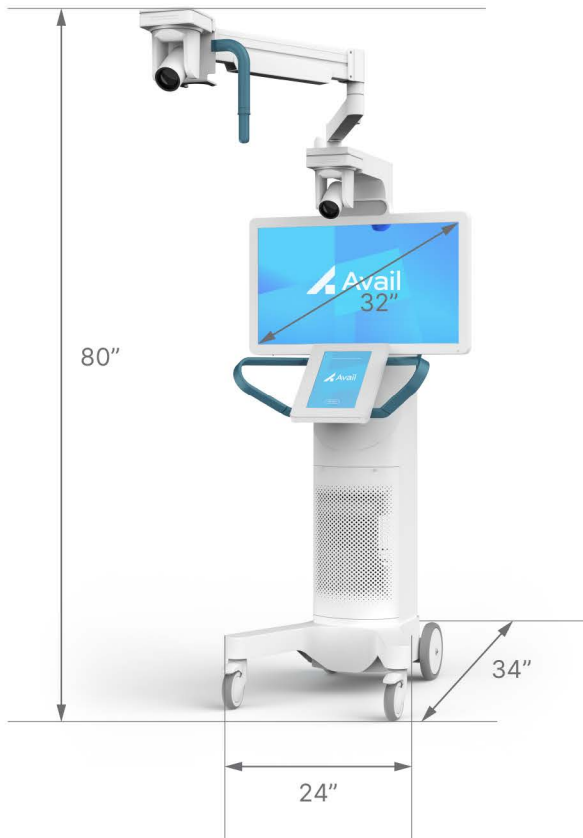
The Avail remote app works with your iPad or laptop, giving you complete control of multiple cameras and surgical imaging views so you can view the procedure from any angle. With two-way audio and video, it's like being in the room—even when you can't be.

### Member portal

Set your availability, receive calls, and schedule events. The member portal is your home for all things Avail.

# Avail is connecting a world of expertise

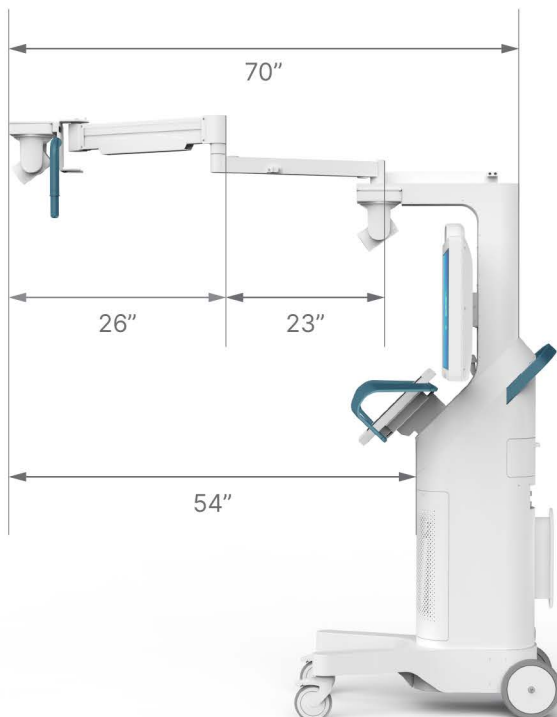
## Enabling collaboration during procedures in real time.



## Avail Console

### System features

- Large member network
- 24/7/365 member support
- Unrestricted access to clinical/product expertise
- Integrated hardware and software
- Two-way audio and video
- White glove service for delivery and set up
- No capital cost
- Multi-disciplinary surgical support
- Real-time telestration
- Surgical modality integration
- HIPAA-HITECH protected
- Freeze frame and split screen views



### Technical features

- Dual HD cameras with pan/tilt functions
- Remote view mirroring on an oversized monitor
- Mobile design for ease of movement in a facility
- Intuitive remote interface with two-way A/V
- 30x zoom video magnification
- Compatible with all surgical modalities
- GigE Ethernet port
- Telestration, freeze frame, and preset views
- Overhead extendable boom camera
- Built-in dialing for calling remote contacts
- Ongoing software and hardware updates
- 1:1 or 1:4 console calling capabilities