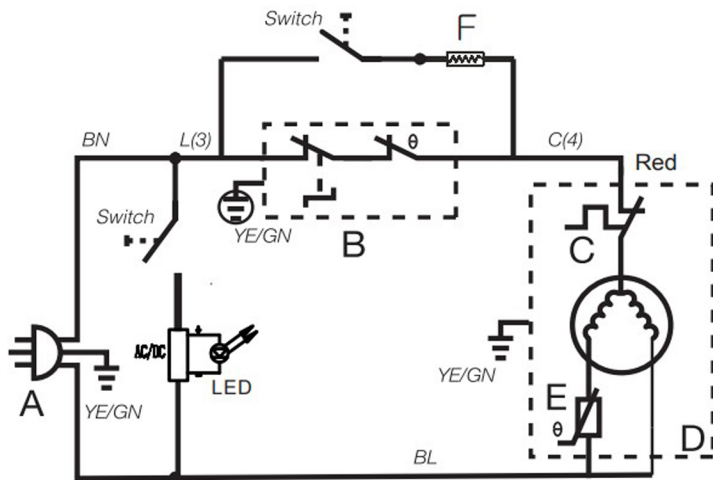




Wiring Diagram for VR1 (MRS330-09io)

CIRCUIT DIAGRAM



- A. POWER PLUG
- B. THERMOSTAT
- C. MOTOR PROTECTOR
- D. COMPRESSOR
- E. STARTER
- F. HEATING ELEMENT